

Overview

The Table frame is made of 50X25X2MM / or 100X50X2MM high quality structural tube and designed completely modular. NetRack offers both ESD & Non ESD table and completed ESD accessories

General scope includes modular Frame, ESD or non ESD post formed centre tabletops, Lipped bottom tabletops and Cantilever shelf. The lab table dimensions (Height, Depth and Length) is customer specific.





Features

- Completely Knock down construction
- Composite construction basic frame-Steel powder coated to meet ASTM standard
- Table top made of Post formed / Lipped tabled tops
- Cable channel for both vertical and horizontal cable management
- Vertically adjustable Power Distribution and Data Distribution Channels
- Casters and Levellers for moving and aligning to suit site conditions
- Vertically Adjustable Earthing strips, DIN Rails with support to suit different lab environments

Accessories:

- | | |
|-----------------------------|------------------------|
| ■ Cable Organizers | ■ ESD Accessories- |
| ■ Data Distribution Channel | ■ Anti-Static Mat |
| ■ DIN Rail Channel | ■ Table Ground Kit |
| ■ Drawer Units | ■ Wrist Band |
| ■ Key Board Shelf | ■ Equipment Ground Kit |
| ■ 19" Rack/Arrangement | |

Overview

ESD (Electro Static Discharge) Safety is very important factor to be considered while designing Lab Tables and Rack, using proper accessories is critical for the safety of engineers and technicians working on ESD environment.

NetRack understands the importance of accessories and offers complete range of ESD Accessories properly tested to meet industry standards.

- ESD Safe Table Top
- Anti-Static Mat
- Table Ground Kit
- Wrist Band
- Equipment Ground Kit



Equipment Ground Kit
Part No: LTA-008



Wrist Band
Part No: LTA-010



Table Ground Kit
Part No: LTA-009



Continues Work Station Monitor
Part No: LTA-011

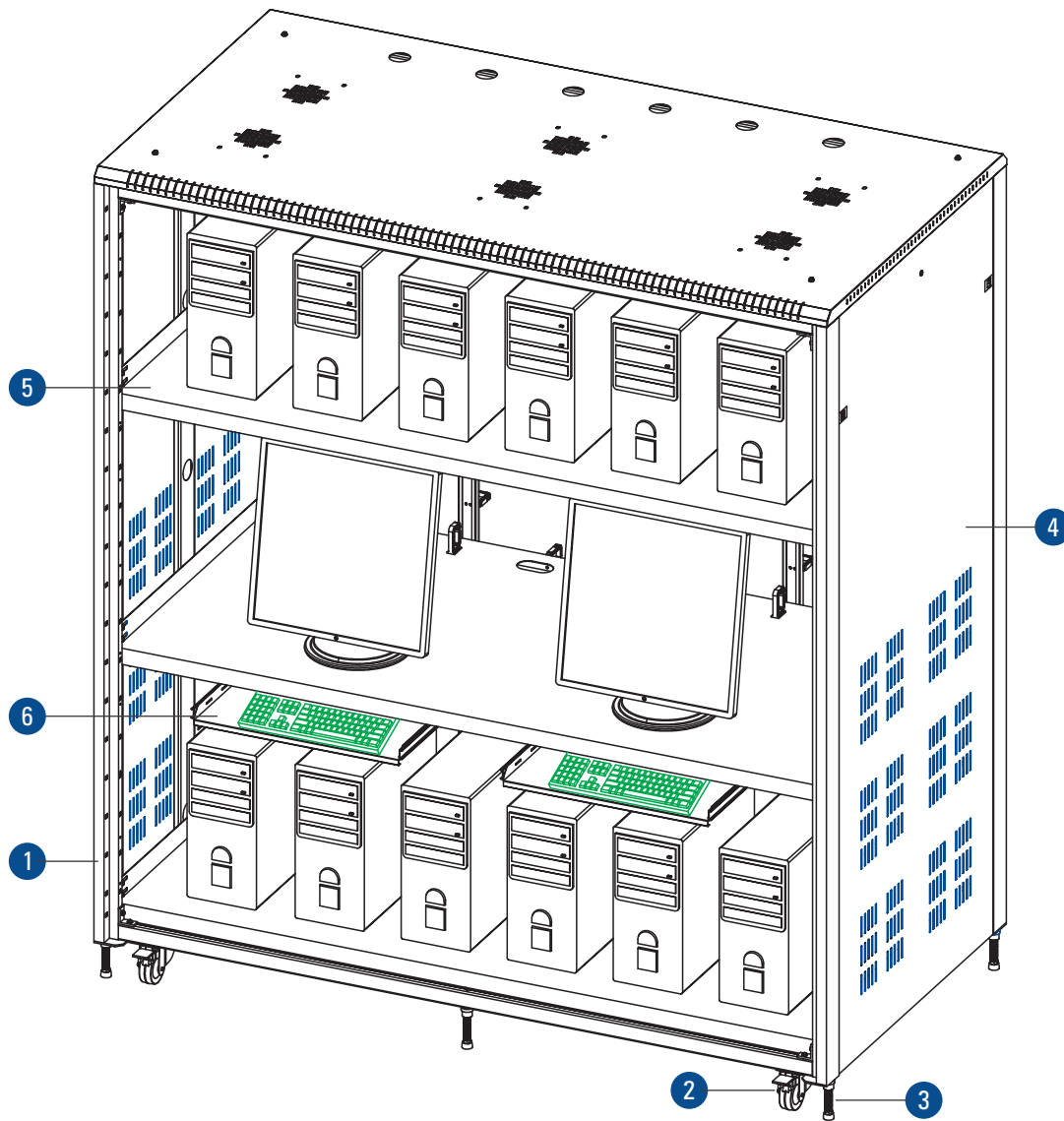
Overview

The Racks are tailor made to customer requirement and available in completely steel or aluminum & Steel composite. The Design is completely modular and CKD construction allow to fast and easy assembly at site. Rack subassembly powder coated with highest quality standards under stringent ISO 9001-2008 Manufacturing & Quality management system to ensure highest quality product.

Generally these racks are preferred to use as open frame. To meet some special requirement NetRack offers front Doors, Back Doors, Side Panels as option.



Customised Racks Configurator Drawing with Critical Parts



- 1. Frame
- 2. Caster
- 3. Leveller
- 4. Side Panel
- 5. Shelf
- 6. Keyboard Shelf

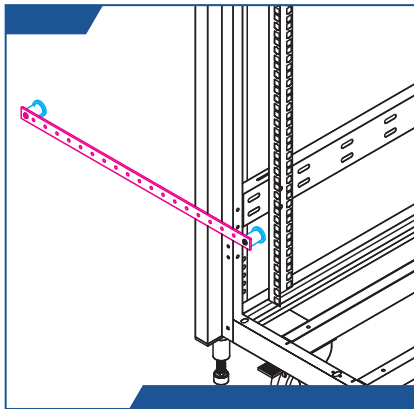
Features

- Completely Modular and CKD Construction
- State-of-the-art manufacturing methods provide the best product quality and fastest delivery in the industry
- Power coated finish with seven tank pretreatment process meeting ASTM standard
- Grounding & Bonding options
- 2 or 4 Fan module mount provision on top cover
- Preconfigured to use key board shelves, Power distributions, data distribution

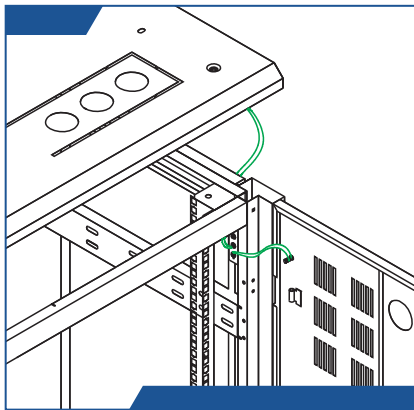
Overview

Today with requirement of electrical protection & safety require proper design of Grounding and Bonding at the design stage, NetRack understand the requirement of Grounding and Bonding solutions for IT infrastructure and mission critical equipments. offer complete range of Grounding and Bonding solutions for IT Room, Racks and Runway the products are properly designed to meet required standard in the industry.

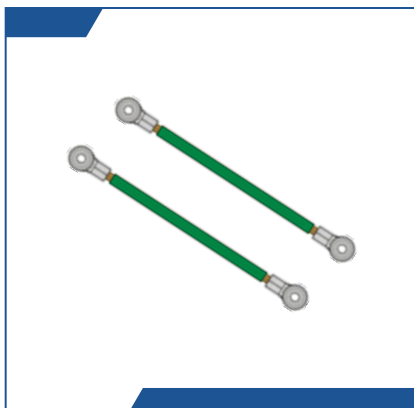
Products range include, TMGB, TGB, Horizontal / vertical ground bus bar, bonding solution bond the Racks & Runway to bus bars.



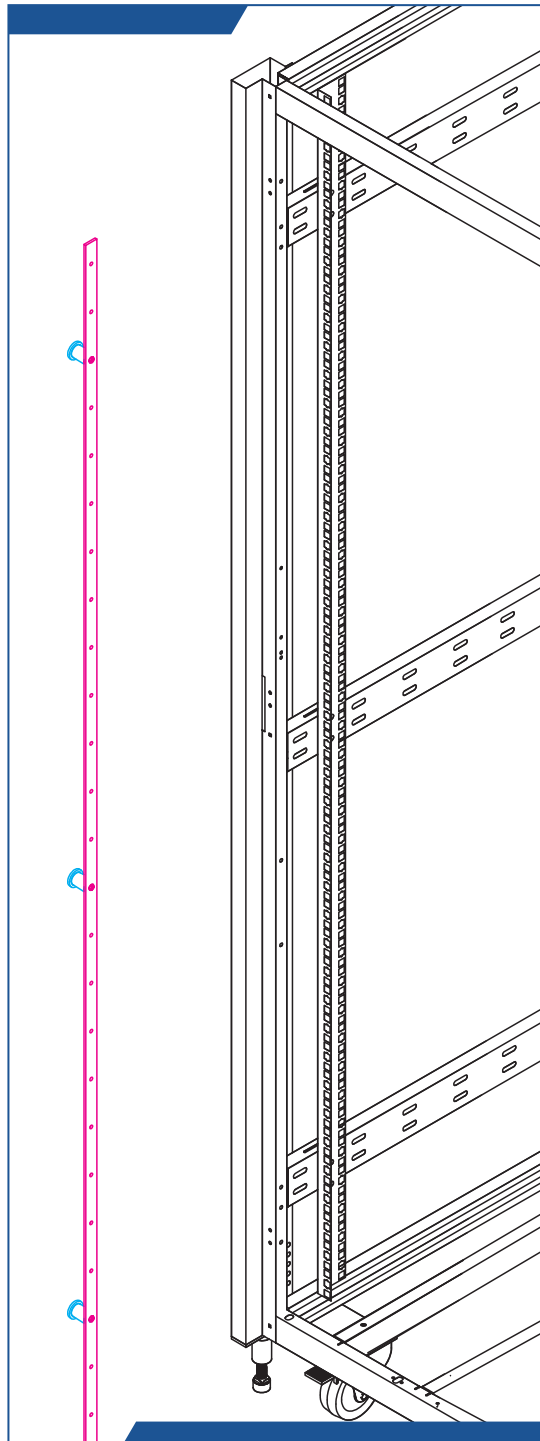
Horizontal Ground Bus Bar



Universal Rack Ground Kit

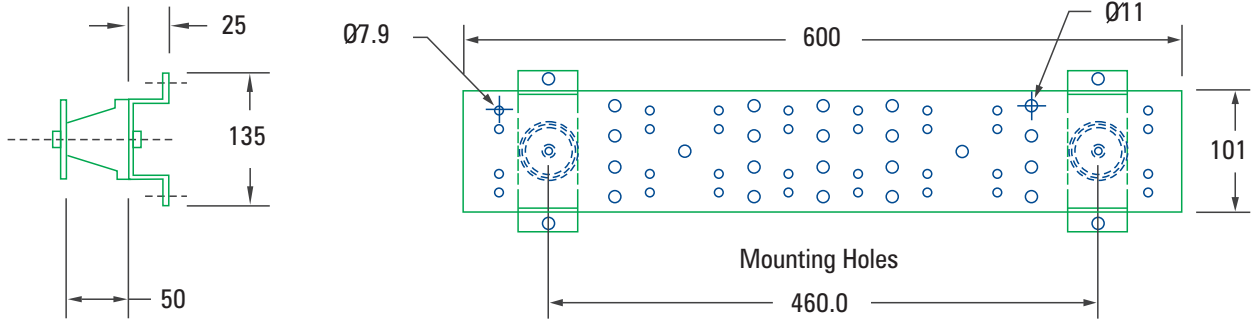


Bonding Cables

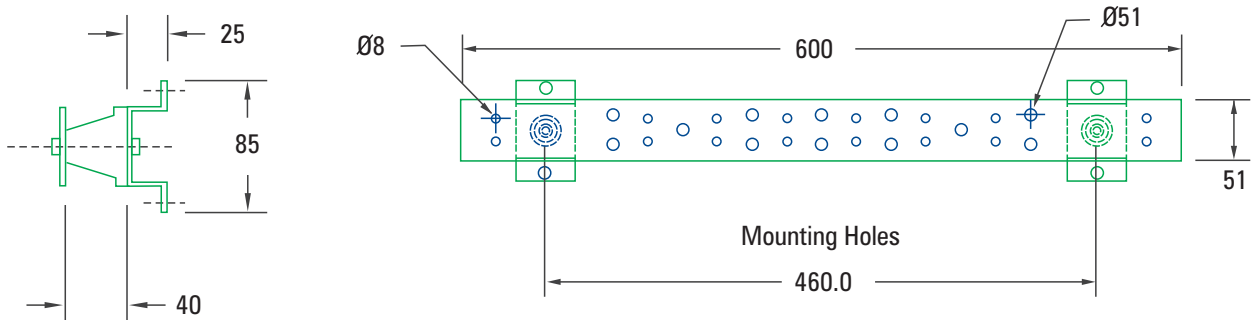


Vertical Ground Bus Bar

Telecom Main Ground Bar



Telecom Ground Bar



Model Matrix

Description	Part No
Telecommunication Main Grounding bus bar Assembly/600X100X6mm	TMGB-001
Telecommunication Grounding bus bar assembly/600X50X6mm	TGB-001
Universal Rack Ground Kit-Type 1	GBA-001-1
Rack Ground Bus bar/Horizontal/19X3/19"	GBA-002-H-19
Rack Ground Bus bar/Vertical/19X3/1800	GBA-002-V-1800
Rack Ground Bus bar/Vertical/19X3/900	GBA-002-V-900
Bonding Cable Kit -2.5mm ² /500MM	GBA-003-001-500
Bonding Cable Kit-2.5mm ² /250MM	GBA-003-001-250
Bonding Cable Kit-4mm ² /500MM	GBA-003-002-500
Bonding Cable Kit-4mm ² /250MM	GBA-003-002-250

Overview

NSTR1 Series, Rigid Racks specially designed for Telecom application. Racks manufactured out of steel sheet punched, formed, welded and powder coated with highest quality standards under stringent ISO 9001-2008 Manufacturing & Quality management system to ensure highest quality product.

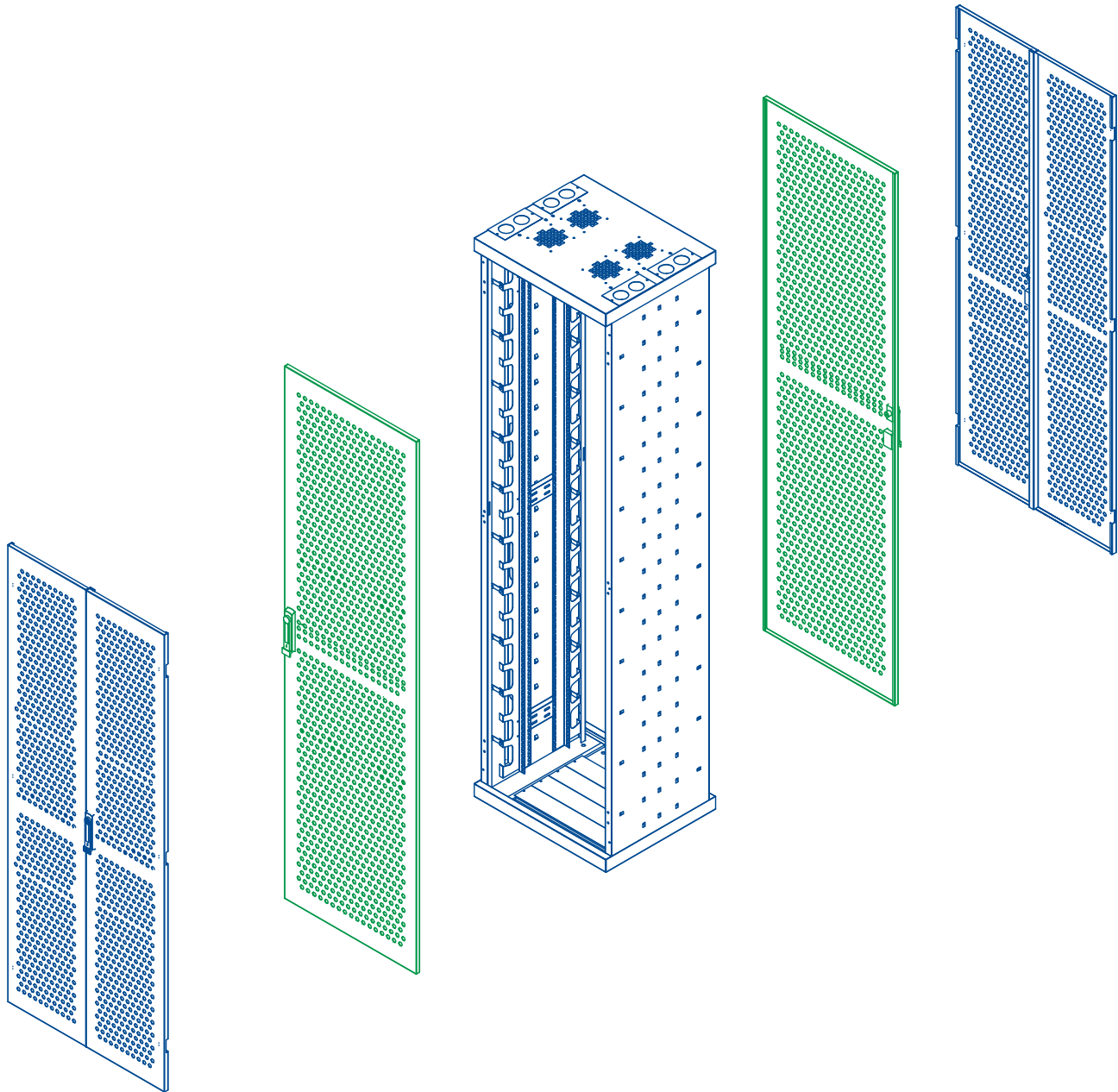
Standard for Racks configuration will be welded frame with 4 no Pillars of 5 folded profile welded to top and bottom ribbed/reinforced frame additionally supported depth wise by welding 6 no depth rail 4 folded profile. Associated with vented top cover with fan mounting. Front Doors can be Glass OR Perforated Single / Dual with Lock and Key and Back Door can be Front Doors can be Metal Vented OR Perforated Single / Dual with Lock and Key, associated with side panel Integrated or Removable based on depth. The Racks will be free standing on plinth.

Racks are equipped with Integrated cable management 25MM, 75MM & 150MM



Available in 2200MM height with 500, 600 with integrated side panel, 800, 1000 with removable side panels depth configurations and 600, 700 & 800 width configurations

NSTR 1 Series Configurator Drawing with Critical Parts (500/600MM Depth)



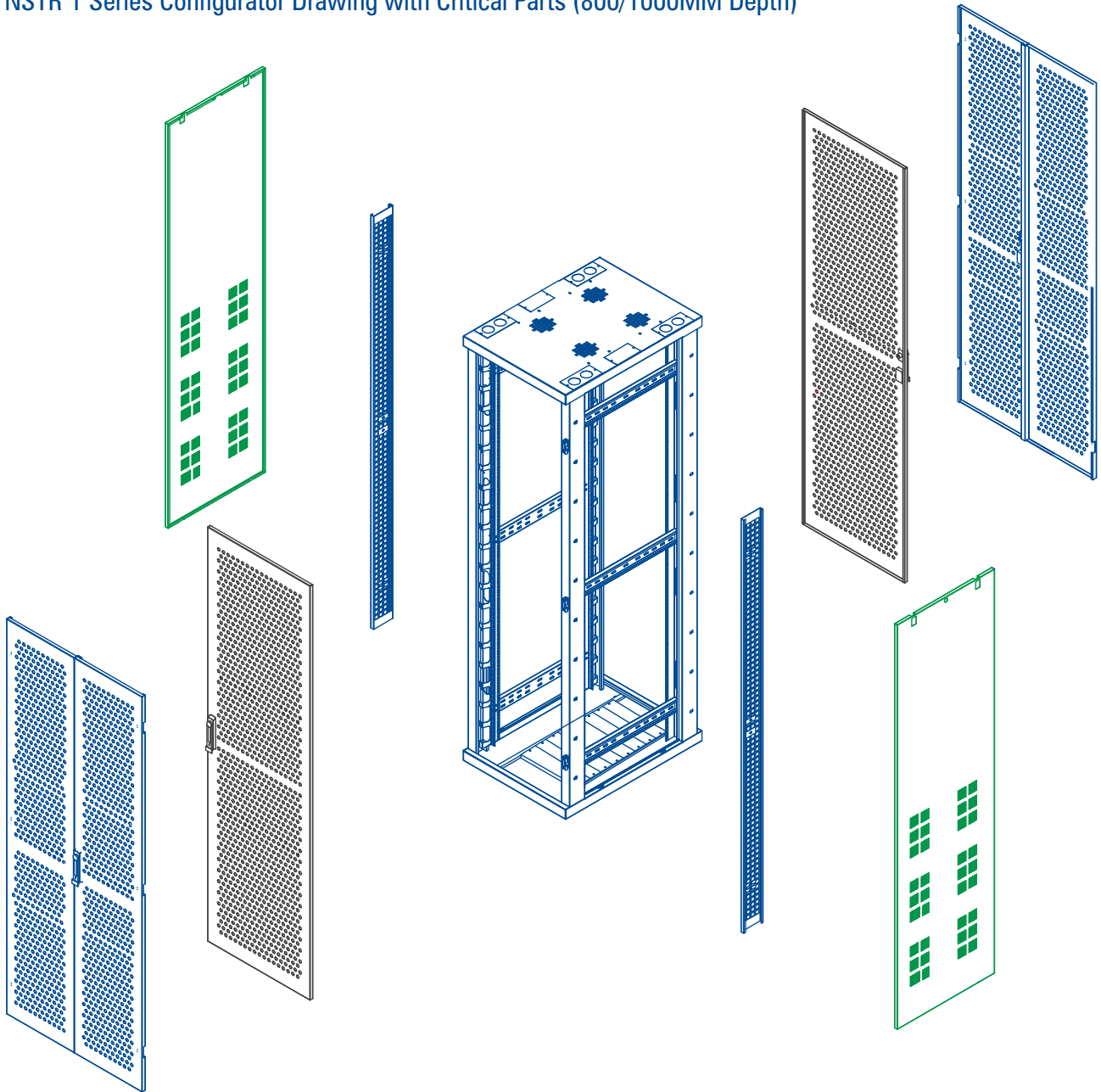
Model Matrix & Dimensions

H	h	W	w	w1	D	d	Caster Type	Plinth Height(MM)
2200	2100	600	451/19"	50	500	270	TYPE-3	50/100
2200	2100	600	451/19"	50	600	370	TYPE-3	50/100

Note :

1. Overall Height = Frame Height + Plinth or Caster
2. It is recommended to distribute the Load along with U space in the Rack
3. Dimension are in MM

NSTR 1 Series Configurator Drawing with Critical Parts (800/1000MM Depth)



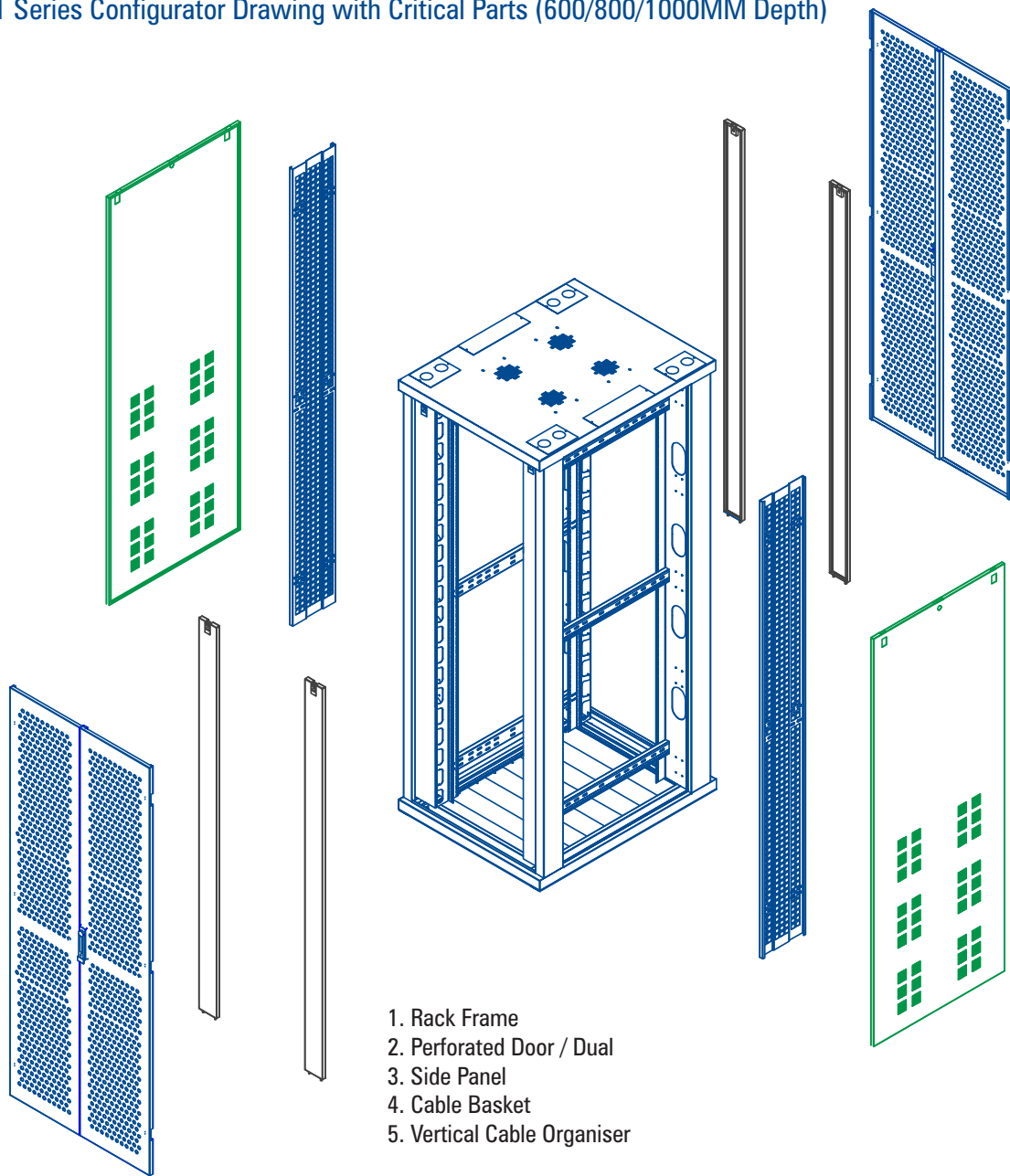
Model Matrix & Dimensions

H	h	W	w	w1	D	d	Cable basket (w)	Caster Type	Plinth Height(MM)
2200	2100	600	451/19"	50	800	570	100	TYPE-3	50/100
2200	2100	600	451/19"	50	1000	770	200	TYPE-3	50/100

Note :

1. Overall Height = Frame Height+Plinth or Caster
2. It is recommended to distribute the Load along with U space in the Rack
3. Dimension are in MM

NSTR 1 Series Configurator Drawing with Critical Parts (600/800/1000MM Depth)



1. Rack Frame
2. Perforated Door / Dual
3. Side Panel
4. Cable Basket
5. Vertical Cable Organiser

Model Matrix & Dimensions

H	h	W	w	w1	D	d	Cable basket (w)	Caster Type	Plinth Height(MM)
2200	2100	700	451/19"	100	600	370	NA	TYPE-3	50/100
2200	2100	700	451/19"	100	800	570	100	TYPE-3	50/100
2200	2100	700	451/19"	100	1000	770	200	TYPE-3	50/100
2200	2100	800	451/19"	150	800	570	100	TYPE-3	50/100
2200	2100	800	451/19"	150	1000	770	200	TYPE-3	50/100

Note :

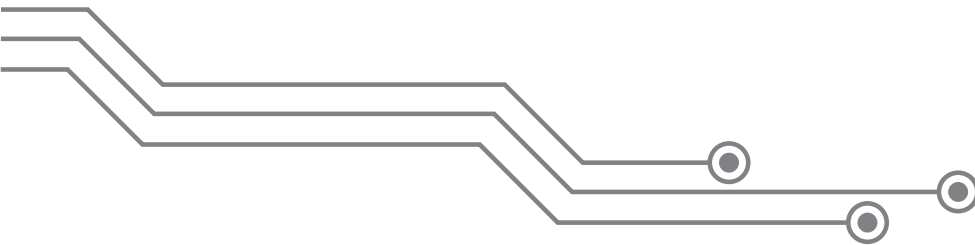
1. Overall Height = Frame Height + Plinth or Caster
2. It is recommended to distribute the Load along with U space in the Rack
3. Dimension are in MM

Features

- Conforms to DIN 41494 or Equivalent EIA / ISO / EN / CEA Standard adjustable mounting depth
- 4 No adjustable, 19" verticals with Punched 10 mm square hole and universal 12.7mm-15.875mm-15.875mm alternating hole pattern offers greater mounting flexibility, maximizes usable mounting space
- Numbered U positions
- State-of-the-art manufacturing methods provide the best product quality and fastest delivery in the industry
- 100% assured compatibility with all equipments conforming to DIN 41494 (General industrial standard for equipments)
Powder coated finish with seven tank pretreatment process meeting ASTM standard
- Grounding & Bonding options
- Fan module Mount provision on top cover

Technical Data:

Basic Frame	Steel folded
Construction	Welded
Top & Bottom Cover	Welded to Frame with Cable entry exit cut outs
Front Door	Lockable Toughened Glass Door OR Lockable Perforated steel Door
Rear Door	Lockable Steel Door - Plain / Vented / Perforated
19" Mounting Angle	Formed Steel
Std. Equipment Mounting	DIN Std. 10mm Sq. Slots
Standard Finish	Powder coated
Standard Colour	Grey & Off White OR Black
Standard Mounting	Plinth
Rack Standard	Conforms to DIN 41494 or equivalent standard
Static Load	750 KG



Overview

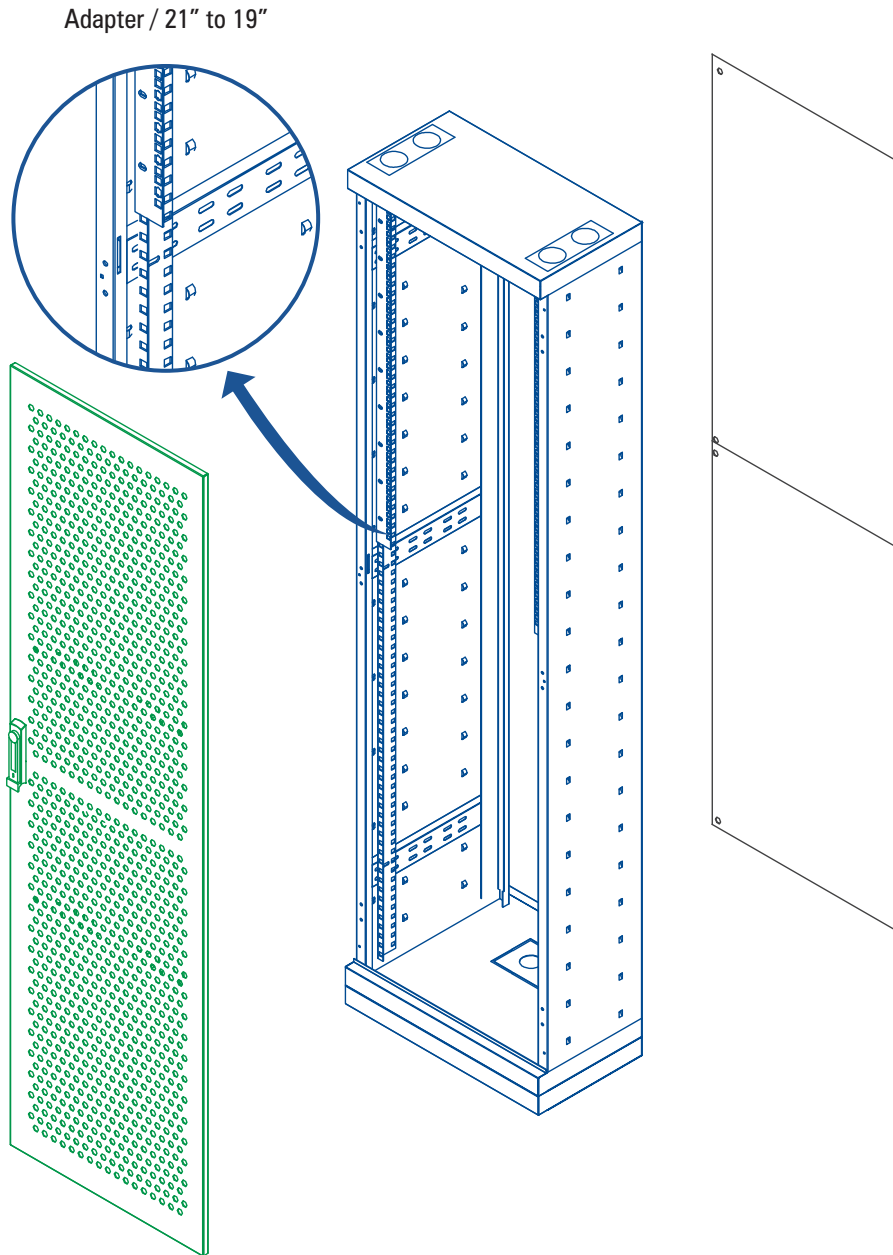
NSTR 2 Series, Racks Specially designed for Telecom application. Racks manufactured out of steel sheet punched, formed, welded and Powder coated with highest quality standards under stringent ISO 9001-2008 Manufacturing & Quality management system to ensure highest quality product.

Standard for Racks configuration will be welded frame with 4 no Pillars of 5 folded profile welded to top and bottom ribbed/reinforced frame additionally supported depth wise by welding 6 no depth rail 4 folded profile. Associated with vented top cover with fan mounting. Front Doors can be Glass OR Perforated Single / Dual with Lock and Key and Back Door can be Front Doors can be Metal Vented OR perforated Single / Dual with Lock and Key, associated with side panel Integrated or Removable based on depth. The Racks will be Free Standing on Plinth.



Available in 2200 Height with 200, 300, 400 with integrated side panel and 600, 800 & 1000 with removable side panels Depth configurations and 600 Width configurations

NSTR 2 Series Configurator Drawing with Critical Parts (200/300/400MM Depth)



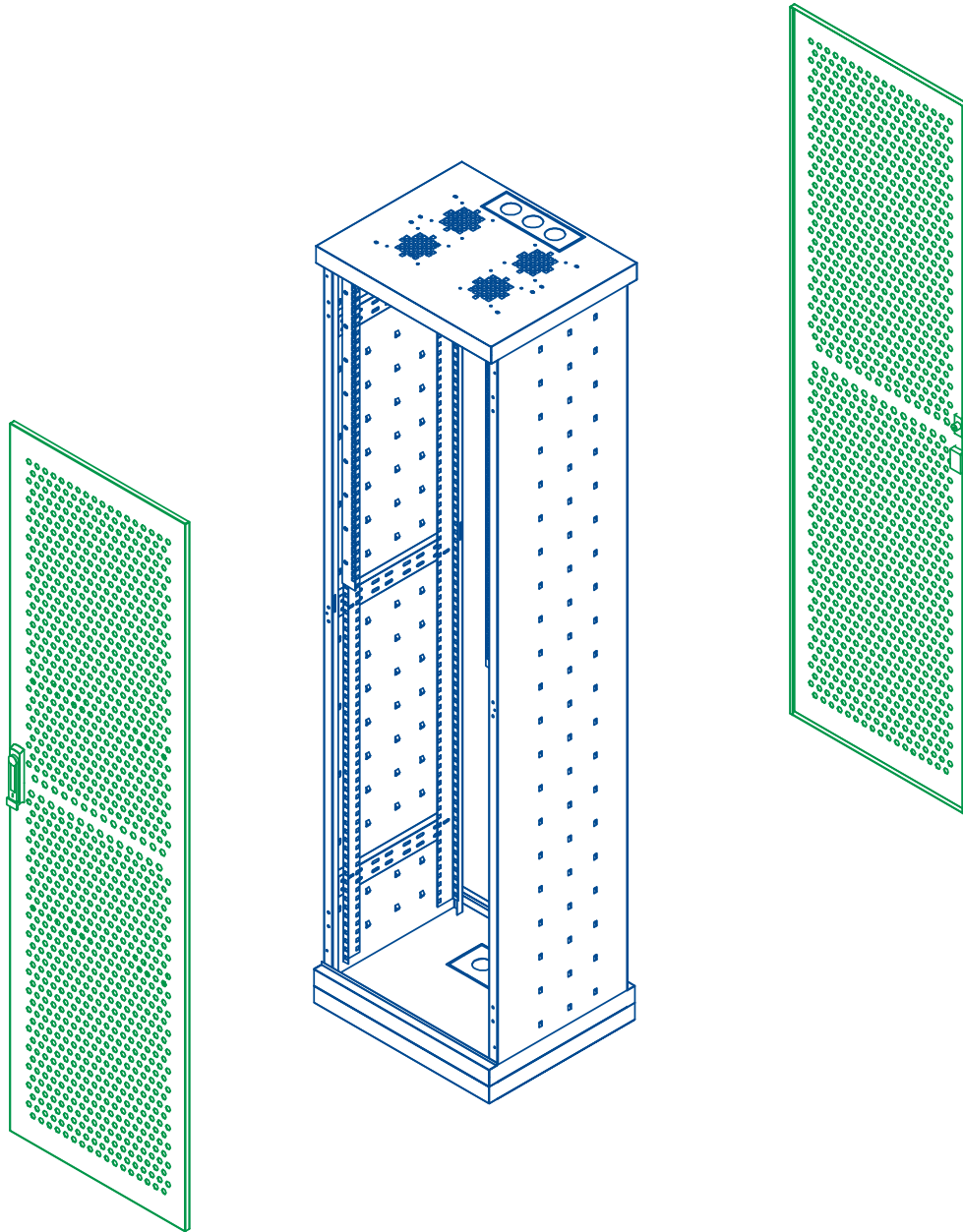
Model Matrix & Dimensions

H	h	W	w	w1	D	d	Caster Type	Plinth Height(MM)
2200	2100	600	21"	19"	200	150	TYPE-3	50/100
2200	2100	600	21"	19"	300	250	TYPE-3	50/100
2200	2100	600	21"	19"	400	350	TYPE-3	50/100

Note :

1. Overall Height = Frame Height + Plinth or Caster
2. It is recommended to distribute the Load along with U space in the Rack
3. Dimension are in MM

NSTR 2 Series Configurator Drawing with Critical Parts (500MM Depth)



Model Matrix & Dimensions

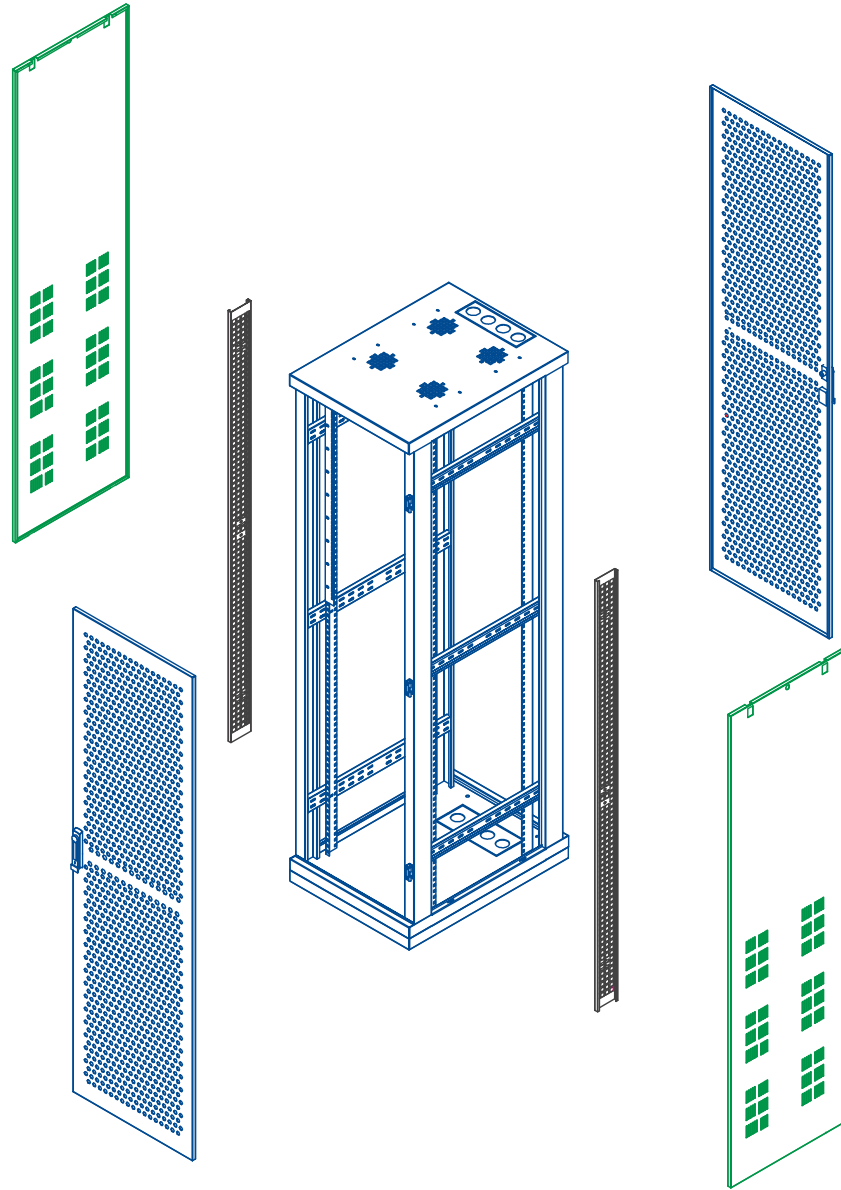
H	h	W	w	w1	D	d	Caster Type	Plinth Height(MM)
2200	2100	600	21"	19"	500	400	TYPE-3	50/100

Note :

1. Overall Height = Frame Height+Plinth or Caster
2. It is recommended to distribute the Load along with U space in the Rack
3. Dimension are in MM

NSTR 2 Series Configurator Drawing with Critical Parts (600/700/800/900/1000MM Depth)

Other Products



Model Matrix & Dimensions

H	h	W	w	w1	D	d	Caster Type	Plinth Height(MM)
2200	2100	600	21"	19"	600	500	TYPE-3	50/100
2200	2100	600	21"	19"	700	600	TYPE-3	50/100
2200	2100	600	21"	19"	800	700	TYPE-3	50/100
2200	2100	600	21"	19"	900	800	TYPE-3	50/100
2200	2100	600	21"	19"	1000	900	TYPE-3	50/100

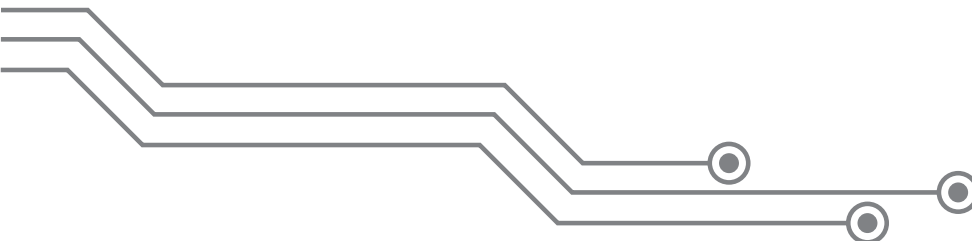
Note :

1. Overall Height = Frame Height + Plinth or Caster
2. It is recommended to distribute the Load along with U space in the Rack
3. Dimension are in MM

Features

- Conforms to ETSI-21 Standard
- Confirms to DIN 41494 or Equivalent EIA / ISO / EN / CEA with adopter Standard adjustable mounting depth
- 4 No Adjustable, 19" verticals with Punched 10 mm square hole and universal 12.7mm-15.875mm-15.875mm alternating hole pattern offers greater mounting flexibility, maximizes usable mounting space
- Numbered U positions
- State-of-the-art manufacturing methods provide the best product quality and fastest delivery in the industry
- 100% assured compatibility with all equipments conforming to DIN 41494 (General industrial standard for equipments)
Powder coated finish with seven tank pretreatment process meeting ASTM standard
- Grounding & Bonding options
- Fan module Mount provision on top cover

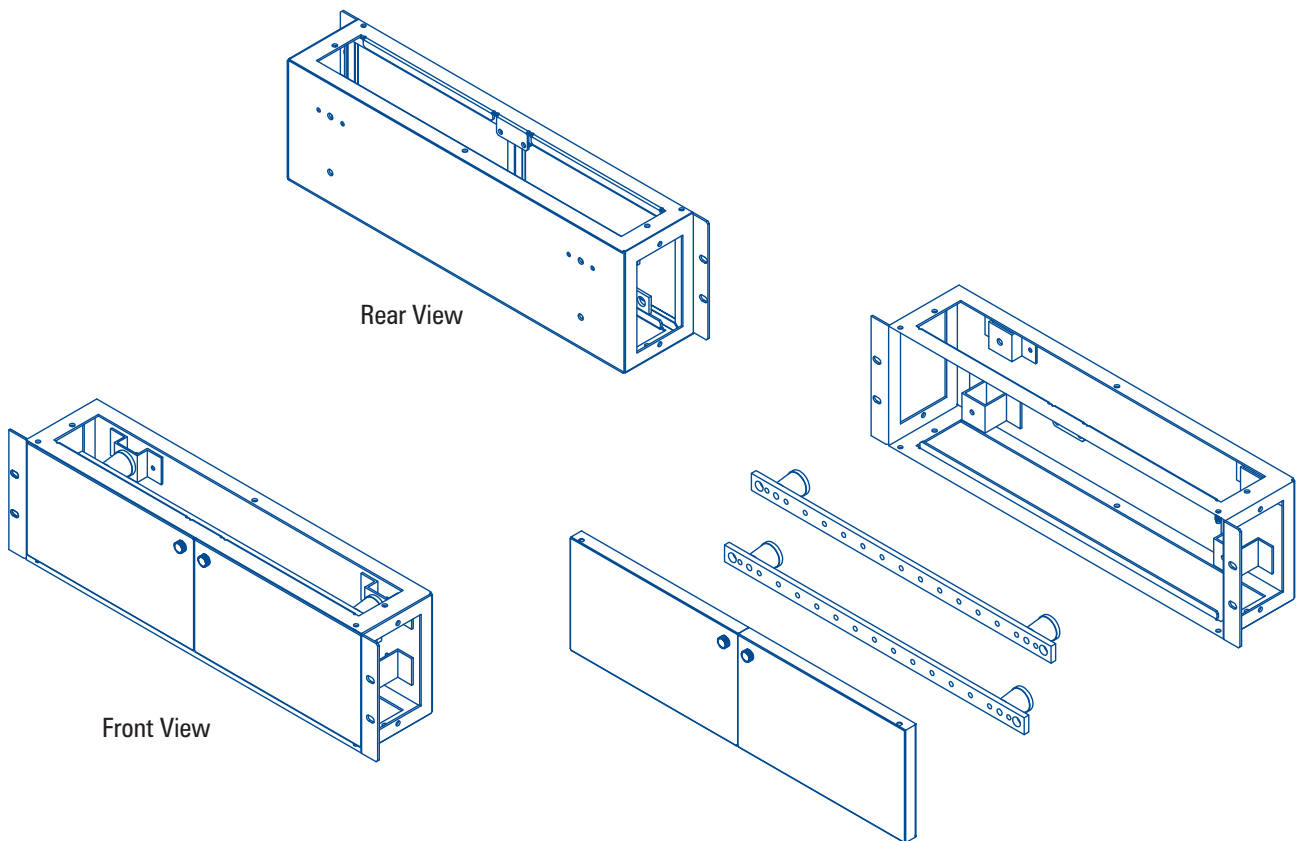
Technical Data:	
Basic Frame	Steel folded
Construction	Welded
Top & Bottom Cover	Welded to Frame with Cable entry exit cut outs
Front Door	Lockable Toughened Glass Door OR Lockable Perforated steel Door
Rear Door	Lockable Steel Door - Plain / Vented / Perforated
21" Mounting Angle	Formed Steel
Std. Equipment Mounting	21" ETSI
Std. Equipment Mounting with Adopter	19" DIN DIN 41494 or Equivalent EIA / ISO / EN / CEA
Standard Finish	Powder coated
Standard Color	Grey & Off White OR Black
Standard Mounting	Plinth
Rack Standard	Conforms to ETSI -21" stand OR DIN 41494 with adopter
Static Load	750Kg



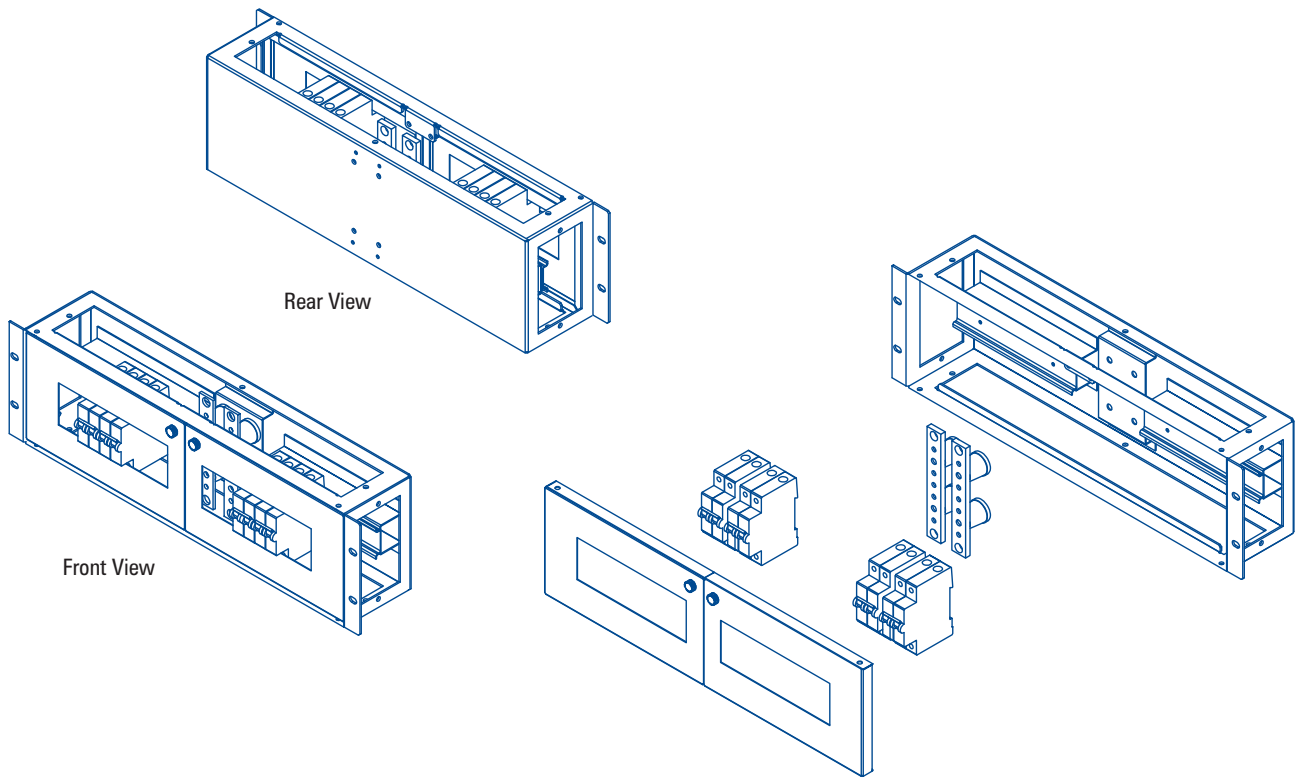
Overview

DC Power Distribution (DCDB) is very important accessory for Telecom racks as majority of equipments work on DC voltage, NetTrack after carefully studying the Requirements offer 200A to 1800 Amp systems with 20X3mm to 100X10mm high quality Copper BUSBARS with tapped hole for power cable Termination to manage different requirements in industry.

The Standard models of 19, 21 or 23 inch standard, Available with MCB mounting OR with out MCB Mounting can be 3U, 4U and 6U variants based Current and Internal configurations. DCDB can be customised based on special large Requirements.



Model Matrix & Dimensions	
Description	Part Number
DCDB/3U/200A/20X3 Busbar-2	DCDB-3U-001
DCDB/3U/300A/20X6 Busbar-2	DCDB-3U-002
DCDB/4U/650A/50X6 Busbar-2	DCDB-4U-001
DCDB/4U/950A/50X10 Busbar-2	DCDB-4U-002
DCDB/6U/1400A/75X10 Busbar-2	DCDB-6U-001
DCDB/6U/1800A/100X10 Busbar-2	DCDB-6U-002



Model Matrix & Dimensions

Description	Part Number
DCDB/3U/200A/20X3 Busbar-2/DinRail	DCDB-3U-003
DCDB/3U/300A/20X6 Busbar-2/DinRail	DCDB-3U-004
DCDB/4U/650A/50X6 Busbar-2/DinRail	DCDB-4U-003
DCDB/4U/950A/50X10 Busbar-2/DinRail	DCDB-4U-004
DCDB/6U/1400A/75X10 Busbar-2/DinRail	DCDB-6U-003
DCDB/6U/1800A/100X10 Busbar-2/DinRail	DCDB-6U-004

