

OVERVIEW

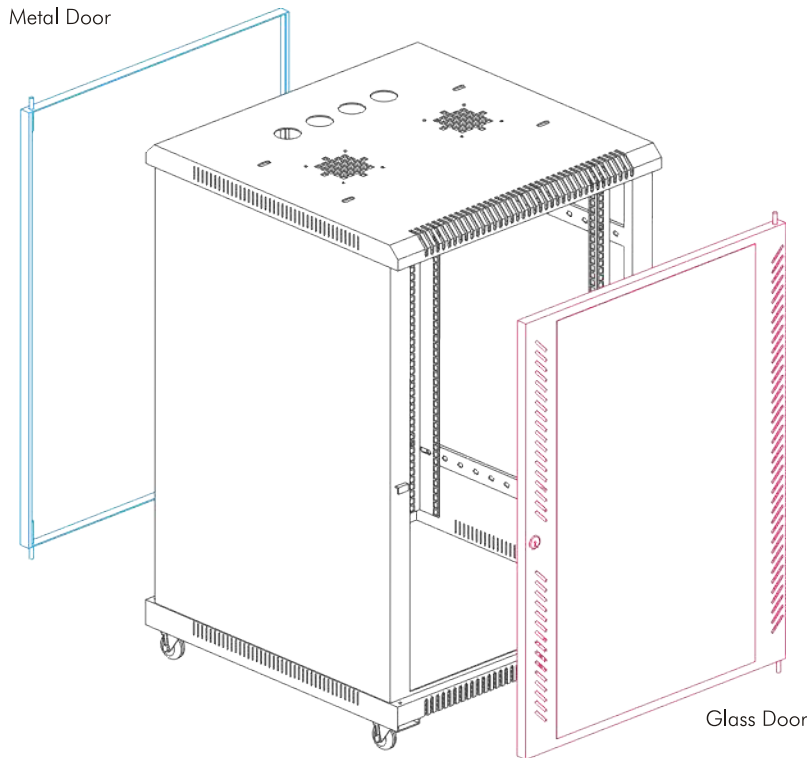
FM Series, **General Electronics Racks for Small Networking, AV, Telecom & lab application.** Racks manufactured out of steel sheet punched, formed, welded and powder coated with highest quality standards under stringent ISO 9001-2008 Manufacturing & Quality management system to ensure highest quality product.

Standard for Racks configuration will be welded frame integrated with side panel and vented top cover with fan mounting provision. Associated with Front Glass Door with lock & Key and Back Metal door with lock & key and freestanding on floor with 4 No casters wheels with 2 No wit brakes and 2 no without brakes available form 6 RU to 42 RU Variants with 600 & 800 depth configuration.



Features

- Conforms to DIN 41494 or Equivalent EIA/ISO/EN/CEA Standard
- Adjustable mounting depth
- 4 No Adjustable. 19" verticals with Punched 10mm Square Hole and Universal 12.7 mm-15.875mm-15.875mm alternating hole pattern offers greater mounting flexibility, maximizes usable mounting space.
- Universal 25MM Pitch Holes For ETSI Standard Racks
- State-of-the-art manufacturing methods provide the best product quality and fastest delivery in the industry
- 100% assured compatibility with all equipment conforming to DIN 41494 (
- General industrial standard for equipments)
- Powder coated finished with seven tank pretreatment process meeting ASTM standard
- Grounding & Bonding Options
- Fan module Mount Provision on top Cover



Technical Data:	
Basic Frame	Steel
Construction	Welded
Top & Bottom Cover	Welded to Frame with Cable entry exit cut outs
Front Door	Lockable Toughened Glass Door
Rear Door	Lockable Steel Door
19" Mounting Angle	Formed Steel
Std. Equipment Mounting	DIN Std. 10mm Sq. Slots
Standard Finish	Powder coated
Standard Colour	Grey & Off White OR Black
Standard Mounting	Caster wheels (2with Brake & 2 without Brake)
Rack Standard	Conforms to DIN 41 494 or equivalent standard
Static Load	150Kg

Accessories :

- Cable Organisers
- Power Distribution Units
- Shelves
- Fan modules
- Rack ground Kit

Abbreviations

- H - Overall height
- h - Usable height
- W - Overall width
- w - Usable width
- D - Overall depth
- d - Usable depth

Model Matrix & Dimensions

FM Series	H	h	W	w	D	d
6U/600X600	447	6U	600	19"	600	560
9U/600X600	580	9U	600	19"	600	560
12U/600X600	713	12U	600	19"	600	560
15U/600X600	846	15U	600	19"	600	560
17U/600X600	935	17U	600	19"	600	560
22U/600X600	1160	22U	600	19"	600	560
27U/600X600	1380	27U	600	19"	600	560

1U = 44.45 mm

Note : Other models can be manufactured on request.