

OVERVIEW

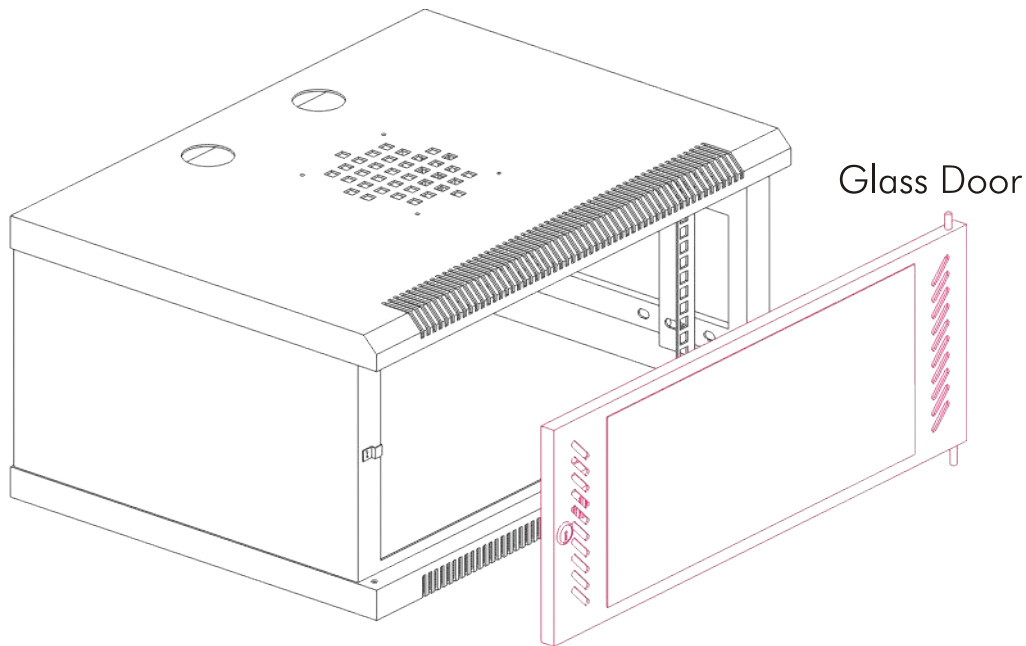
WM Series, **General Electronics Racks for small Networking, AV, Telecom & lab application.** Racks manufactured out of stell sheet punched, formed, welded and Powder coated with highest quality standards under stringent ISO 9001-2008 Manufacturing & Quality management system to ensure highest quality product.

Standard for Racks configuration will be welded frame integrated with side panel and vented top cover with fan mounting provision, Associated Front Glass Door with lock & Key and provision to mount racks on wall and available from 4RU to 15RU Variants with 400, 500 & 600 Deep configurations. Also available in CKD design.



Features

- Conforms to DIN 41494 or Equivalent EIA /ISO/ EN/ CEA Standard
- Adjustable mounting depth,
- 2 No Adjustable, 19" verticals with Punched 10 mm Square Hole and Universal 12.7 mm -15.875mm- 15,875 mm alternating hole pattern offers greater mounting flexibility, maximizes usable mounting space.
- State-of-the-art manufacturing methods provide the best product quality and fastest delivery in the industry
- 100% assured compatibility with all equipments conforming to DIN 41494 (General industrial standard for equipments)
- Grounding & Bonding Options
- 1 or 2 Fan Mount Provision on top Cover



Technical Data:	
Basic Frame	Steel
Construction	Welded CKD
Top & Bottom Cover	Welded to Frame with Cable entry exit cut outs
Front Door	Lockable Toughened Glass Door
19" Mounting Angle	Formed Steel
Std. Equipment Mounting	DIN Std. 10mm Sq. Slots
Standard Finish	Powder coated
Standard Colour	Grey & Off White OR Black
Rack Standard	Conforms to DIN 41494 or equivalent standard
Static Load	30Kg

Accessories :

- Cable Organisers
- Power Distribution Units
- Shelves
- Cooling Fans
- Rack ground Kit

Abbreviations

H - Overall height
 h - Usable height
 W - Overall width
 w - Usable width
 D - Overall depth
 d - Usable depth

Model Matrix & Dimensions

WM-400 Series	H	h	W	w	D	d
4U/550X400	258	4U	550	19"	400	380
6U/600X400	347	6U	550	19"	400	380
9U/600X400	481	9U	550	19"	400	380
12U/600X400	613	12U	550	19"	400	380
15U/600X400	749	15U	550	19"	400	380
WM-500 Series	H	h	W	w	D	d
6U/600X500	347	6U	550	19"	400	380
9U/600X500	481	9U	550	19"	400	380
12U/600X500	613	12U	550	19"	400	380
15U/600X500	749	15U	550	19"	400	380

1U = 44.45 mm

Note : Other models can be manufactured on request.

NETRACK™