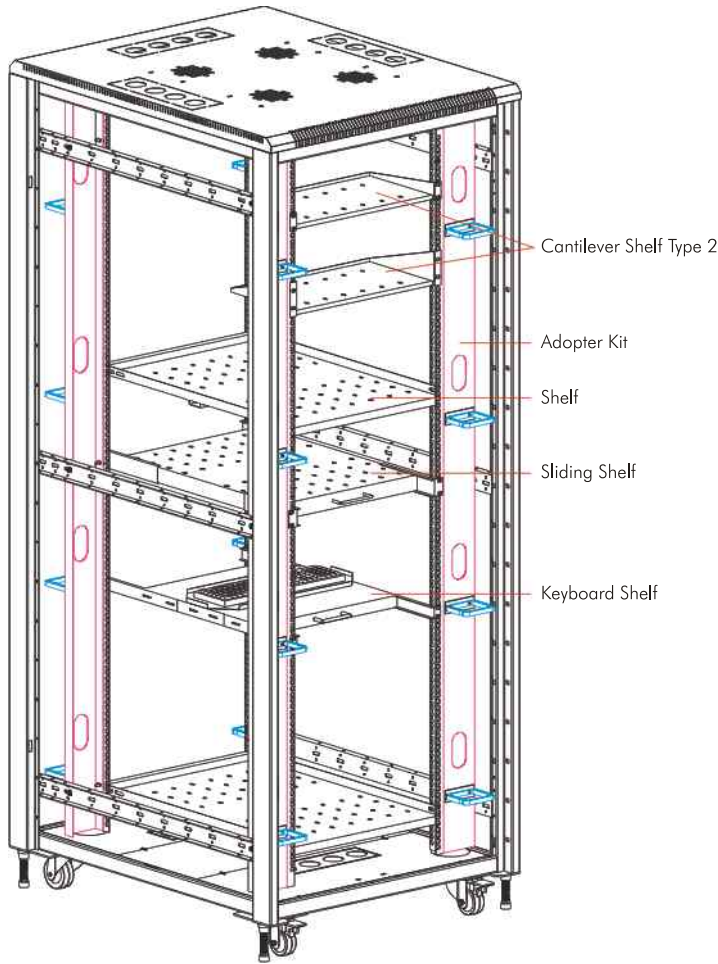


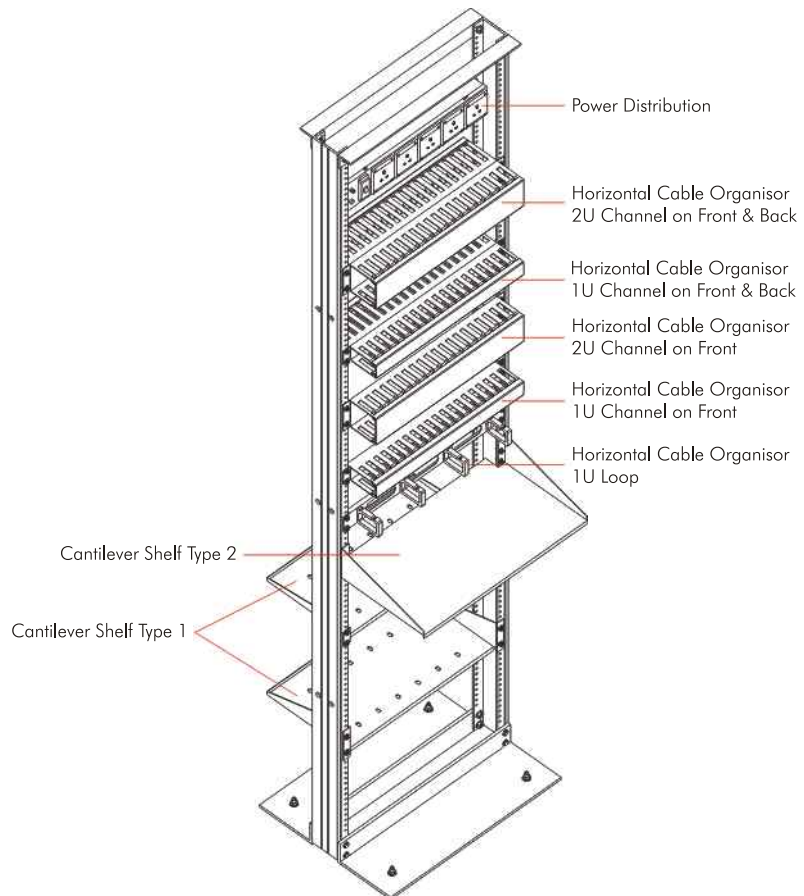
Rack Accessories

Casters & Levellers



Model Matrix & Dimensions

Description	Construction	Static Load KG
Casters/Type 1	Formed Steel and Powder Coated Bracket and PP with Ball Bearing	100
Casters/Type 2	Formed Steel and Powder Coated Bracket and PP with Ball Bearing	350
Casters/Type 2	Formed Steel and Powder Coated Bracket and PP with Ball Bearing	750
Levellers	Machined and Plated	1500



Rack Accessories

Fixed Shelf



KeyBoard Shelf



Model Matrix & Dimensions		
Description	Construction	Static Load KG
Fixed Shelf /600×600	Formed Steel and Powder Coated	25
Fixed Shelf /600×650	Formed Steel and Powder Coated	100
Fixed Shelf /600×800	Formed Steel and Powder Coated	150
Fixed Shelf /600×1000	Formed Steel and Powder Coated	150
Fixed Shelf /800×800	Formed Steel and Powder Coated	150
Fixed Shelf /800×1000	Formed Steel and Powder Coated	150

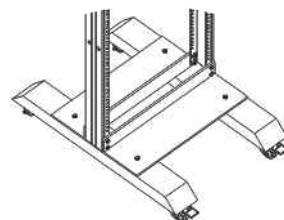
Model Matrix & Dimensions		
Description	Construction	Static Load KG
Key Board Shelf /600×600	Formed Steel and Powder Coated	10
Key Board Shelf /600×650	Formed Steel and Powder Coated	10
Key Board Shelf /600×800	Formed Steel and Powder Coated	10
Key Board Shelf /600×1000	Formed Steel and Powder Coated	10
Key Board Shelf /800×800	Formed Steel and Powder Coated	10
Key Board Shelf /800×1000	Formed Steel and Powder Coated	10

Sliding Shelf



Model Matrix & Dimensions		
Description	Construction	Static Load KG
Sliding Shelf /600×600	Formed Steel and Powder Coated	10/30
Sliding Shelf /600×650	Formed Steel and Powder Coated	10/30
Sliding Shelf /600×800	Formed Steel and Powder Coated	10/30
Sliding Shelf /600×1000	Formed Steel and Powder Coated	10/30
Sliding Shelf /800×800	Formed Steel and Powder Coated	10/30
Sliding Shelf /800×1000	Formed Steel and Powder Coated	10/30

Extended Leg / Castors



Model Matrix & Dimensions		
Description	Construction	Static Load KG
Cantilever Shelf /250D/Tp 1	Formed Steel and Powder Coated	20
Cantilever Shelf /400D/Tp 1	Formed Steel and Powder Coated	20

NEWBACK™

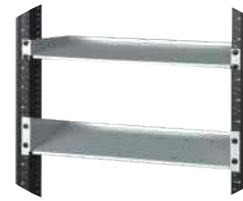
Rack Accessories

Cantilever Shelf Type – 1



Model Matrix & Dimensions		
Description	Construction	Static Load KG
Cantilever Shelf /250D/ Tp 1	Formed Steel and Powder Coated	20
Cantilever Shelf /400D/ Tp 1	Formed Steel and Powder Coated	20

Cantilever Shelf Type – 2



Model Matrix & Dimensions		
Description	Construction	Static Load KG
Cantilever Shelf /1U/250 /Tp 2	Formed Steel and Powder Coated	5
Cantilever Shelf /2U/250 /Tp 2	Formed Steel and Powder Coated	5
Cantilever Shelf /2U/350 /Tp 2	Formed Steel and Powder Coated	5

Angle Pair



Model Matrix & Dimensions		
Description	Construction	Static Load KG
Angle Pair/ 550	Formed Steel and Powder Coated	100
Angle Pair/ 715	Formed Steel and Powder Coated	100

Plinth



Model Matrix & Dimensions		
Description	Construction	Static Load KG
Plinth /600×650	Formed Steel and Powder Coated	1500
Plinth /600×800	Formed Steel and Powder Coated	1500
Plinth /600×1000	Formed Steel and Powder Coated	1500
Plinth /800×800	Formed Steel and Powder Coated	1500
Plinth /800×1000	Formed Steel and Powder Coated	1500

Rack Accessories

Filler Panel



Model Matrix & Dimensions

Description	Construction
Filler Panel /1U	Formed Steel and Powder Coated
Filler Panel /2U	Formed Steel and Powder Coated
Filler Panel /4U	Formed Steel and Powder Coated

Other Models on request

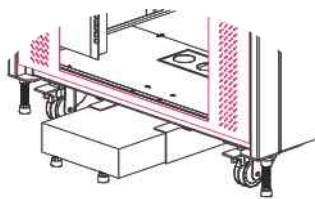
Ganging Kit



Model Matrix & Dimensions

Description	Construction
Ganging Kit	Formed Steel and Powder Coated

Rack Stabilising Kit

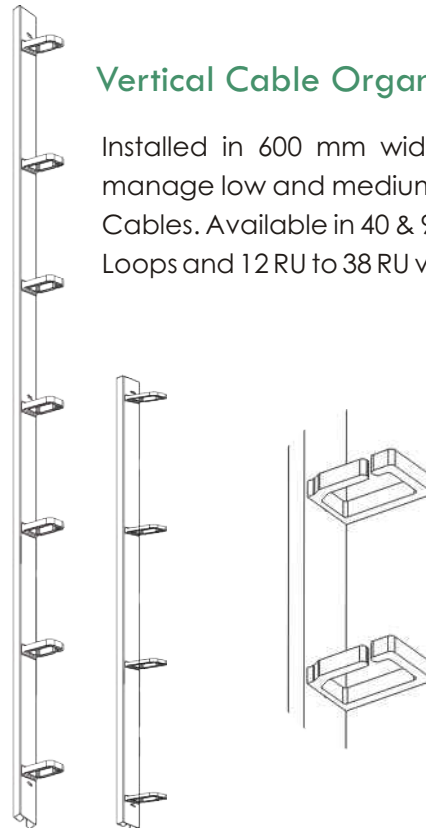


Model Matrix & Dimensions

Description	Construction
Rack Stabilising Kit/600	Formed Steel and Powder Coated
Rack Stabilising Kit/800	Formed Steel and Powder Coated

Vertical Cable Organiser/Loop

Installed in 600 mm wide Racks to manage low and medium volume of Cables. Available in 40 & 90 mm wide Loops and 12 RU to 38 RU variants.

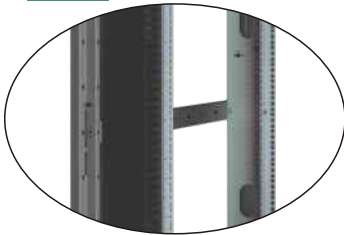


OVERVIEW

Adopter Kit used in 800 wide Racks, which converts the rack to 19" Standard with provision for Cable Management. The Adopter made of Formed Steel and Powder coated will have a provision to fix either Loop or Channel and Modular.

Netrack offers both Loop type and Channel type Cable management, this comes with 3 variants :

1. Front & back Loops
2. Front Channel & back Loops
3. Front & back Channels.



Adopter Kit

Model Matrix & Dimensions		
Model	Description	Construction
Adopter Kit/ 19" /Loops	Converts 800 width Rack to 19" with Cable management both Front and back by ABS Loops	Formed Steel and Powder Coated
Adopter Kit/ 19" /Chnl X2	Converts 800 width Rack to 19" with Cable management Front By Cable channel 100X100mm and back by ABS Loops	Formed Steel and Powder Coated
Adopter Kit/ 19" /Chnl X4	Converts 800 width Rack to 19" with Cable management both Front and back by Cable Channel 100x 100mm	Formed Steel and Powder Coated

Modem Racks

Modem Racks are used to stack Modem vertically inside the rack for better organising and space saving Netrack offers 2 designs of Modem rack to suit the customer requirement.

Type 1 mode of Aluminium frame with option for closing top, bottom & back with provision for fixing vertical partition and adjusting the width as per customer requirement. Available in 4, 6 & 9U.

Type 2 made of MS formed shelf with provision for fixing vertical partition and adjusting the width as per customer requirement. Available in 4, 6 & 9U.

Standard finish : Powder Coated Black or RAL 7035 - 37 combination



Modem Rack Type 1



Modem Rack Type 2