

High Density Vertical Cable Organisers

6, 8, 12 & 15 Inch.

OVERVIEW

High Density Cable Organizer, Specially designed to meet the challenges of high density cable management due to increase on of Path panel per Rack and also introduction of angular jack panel

Cable Organizer frame manufactured out of steel sheet punched, formed, welded and powder coated and Doors made of aluminum sheet punched formed and powder coated with highest quality standards under stringent ISO 9001-2008 Manufacturing & Quality management system to ensure highest quality product.

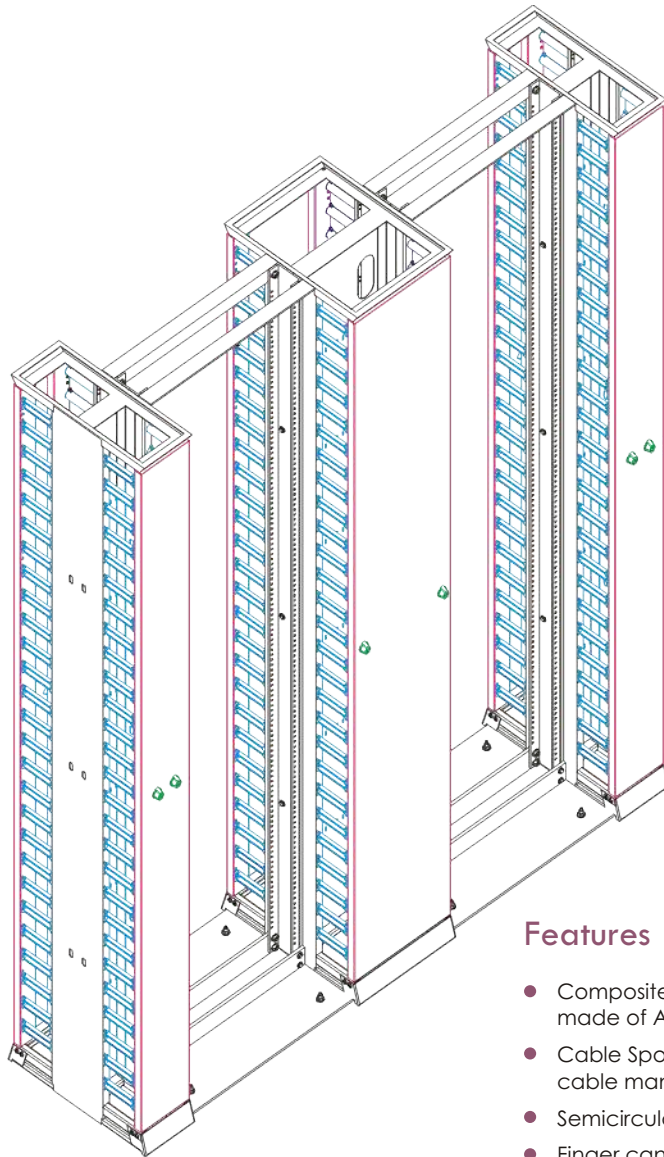
Standard configuration will be 6 Inch, 8 Inch, 12 15 Inch with unique double hinge door on Front & Back associated Removable / Reusable semi circular fingers & Spools made of ABS for cable management. Available in Front OR Front Back Variants.



NETRACK™

High Density Vertical Cable Organisers

6, 8, 12 & 15 Inch.



Features

- Composite construction basic frame-Steel powder coated and finger made of ABS for high strength to carry large quantity cables.
- Cable Spools and Slots in Centre supported Member for large quantity cable management.
- Semicircular ABS fingers assure no cable damage.
- Finger can be removed very easily to suit site requirements.
- Unique double hinge design door at front and back to open door from left to right or right to left for easy cable management.
- The Vertical Cable Organizer free standing on floor and bolted to open rack for better alignment and aesthetic looks.

Model Matrix & Dimensions

Model	Height(mm)	Usable Height(u)	Width(Inches)	Depth(Inches)
HDVCO 6 inch/Front & Back	2145	45	6	18
HDVCO 8 inch/Front & Back	2145	45	8	18
HDVCO 12 Inch/Front & Back	2145	45	12	18
HDVCO 15 inch/Front & Back	2145	45	15	18
HDVCO 6 inch/Front	2145	45	6	9
HDVCO 8 inch/Front	2145	45	8	9
HDVCO 12 inch/Front	2145	45	12	9
HDVCO 15 inch/Front	2145	45	15	9

1U = 44.45 mm

Note: Other models can be manufactured on request.

Abbreviations

H - Overall height

h - Usable height

W - Overall width

w - Usable width

D - Overall depth

d - Usable depth

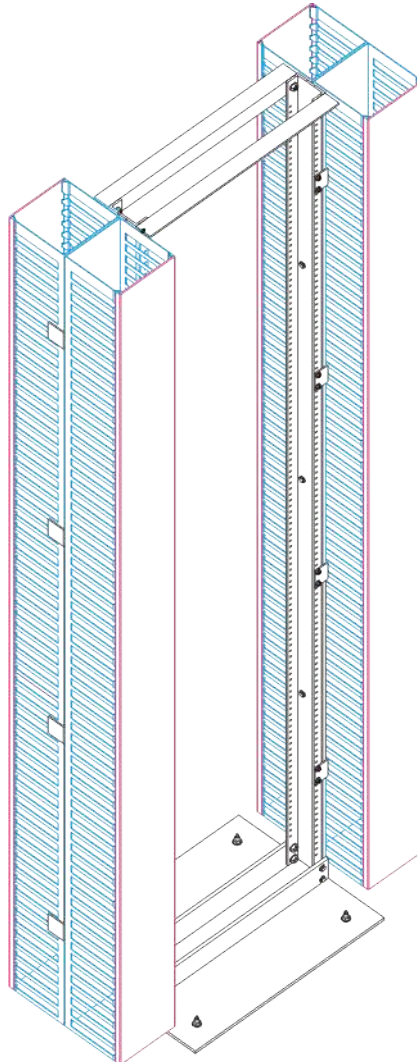
Vertical Cable Organisers

OVERVIEW

VCO Specially designed to meet the price challenges of low & Medium density cable management where in remain rack space will used for other equipment mounting

Cable organizer frame manufactured out of Rigid PVC with punched side slots for cable entry /Exit with highest quality standards under stringent ISO 9001-2008 Manufacturing & Quality management system to ensure highest quality product.

Standard configuration will be 4 lunch, 6 Inch, with cover on Front or Front & Back and Bracket for mounting on rack. Available in Front OR Front & Back Variants.



Vertical Cable Organiser

Abbreviations

- H - Overall height
- h - Usable height
- W - Overall width
- w - Usable width
- D - Overall depth
- d - Usable depth

Model Matrix & Dimensions

Model	Height(mm)	Usable Height(U)	Width(Inches)	Depth(Inches)
VCO 4 inch/Front & Back	2100	45	4	8
VCO 6 inch/Front & Back	2100	45	6	12
VCO 4 Inch/Front	2100	45	4	4
VCO 6 inch/Front	2100	45	6	6

Horizontal Cable Organisers

OVERVIEW

HCO Specially designed to meet the horizontal cable management challenges of low, Medium & High density application.

Channel type Cable Organizer manufactured out of Rigid PVC with punched side slots for cable entry/ exit fixed on Steel sheet punched Back panel and Loop Type will have ABS Loops fixed on steel sheet punched back Panel with highest quality standards under stringent ISO 9001-2008 Manufacturing & Quality management system to ensure highest quality product.

Standard configuration will be 1 RU & 2 RU with cover on Front Or front & Back and Back panel for mounting on rack. Loop Type cable Organizer will have ABS 4 No. Loops for cable management.



Horizontal Cable Organiser/1U/Loop



Horizontal Cable Organiser/1U/Chanel on front



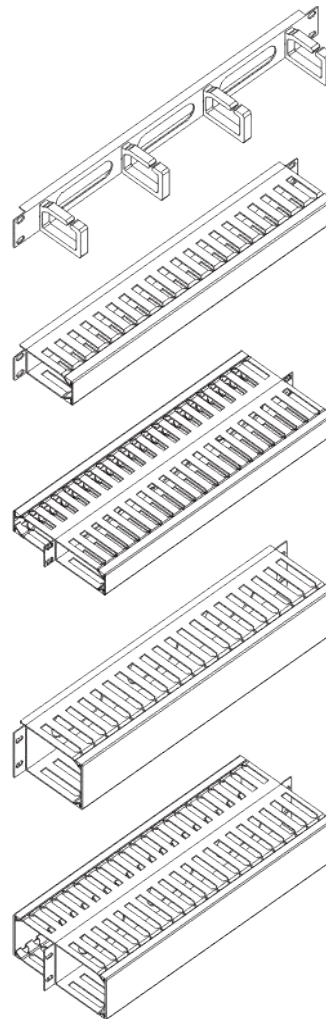
Horizontal Cable Organiser/1U/Chanel on front & back



Horizontal Cable Organiser/2U/Chanel on front



Horizontal Cable Organiser/2U/Chanel on front & back



Model Matrix & Dimensions

Model	H	W	D	RU Space
HCO/1U/ Loops	42	483	63	1
HCO/1u/Chl On Front	40	483	80	1
HCO/1U/Chl on Front & Back	40 & 40	483	80 & 100	1
HCO/2U/Chl on Front	80	483	80	2
HCO/2U/Chl On Front & Back	80 & 80	483	80 & 100	2
HCO/2U/Chl On Front & Back	80 & 80	483	80 & 100	2
HCO/4U.Chl on Front	150	483	150	4
HCO/4U/Chl on Front & Back	150 & 150	483	150 & 150	4

Abbreviations

- H - Overall height
- h - Usable height
- W - Overall width
- w - Usable width
- D - Overall depth
- d - Usable depth