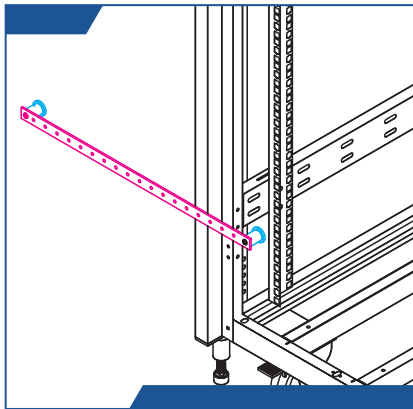


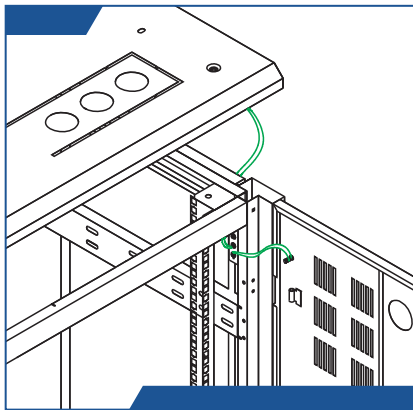
Overview

Today with requirement of electrical protection & safety require proper design of Grounding and Bonding at the design stage, NetRack understand the requirement of Grounding and Bonding solutions for IT infrastructure and mission critical equipments. offer complete range of Grounding and Bonding solutions for IT Room, Racks and Runway the products are properly designed to meet required standard in the industry.

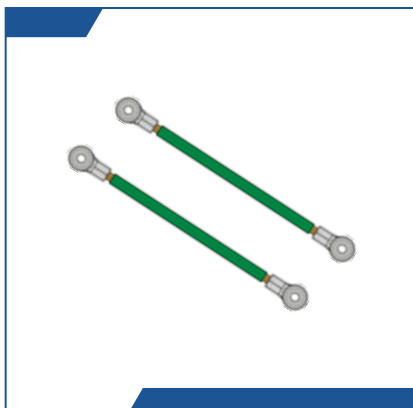
Products range include, TMGB, TGB, Horizontal / vertical ground bus bar, bonding solution bond the Racks & Runway to bus bars.



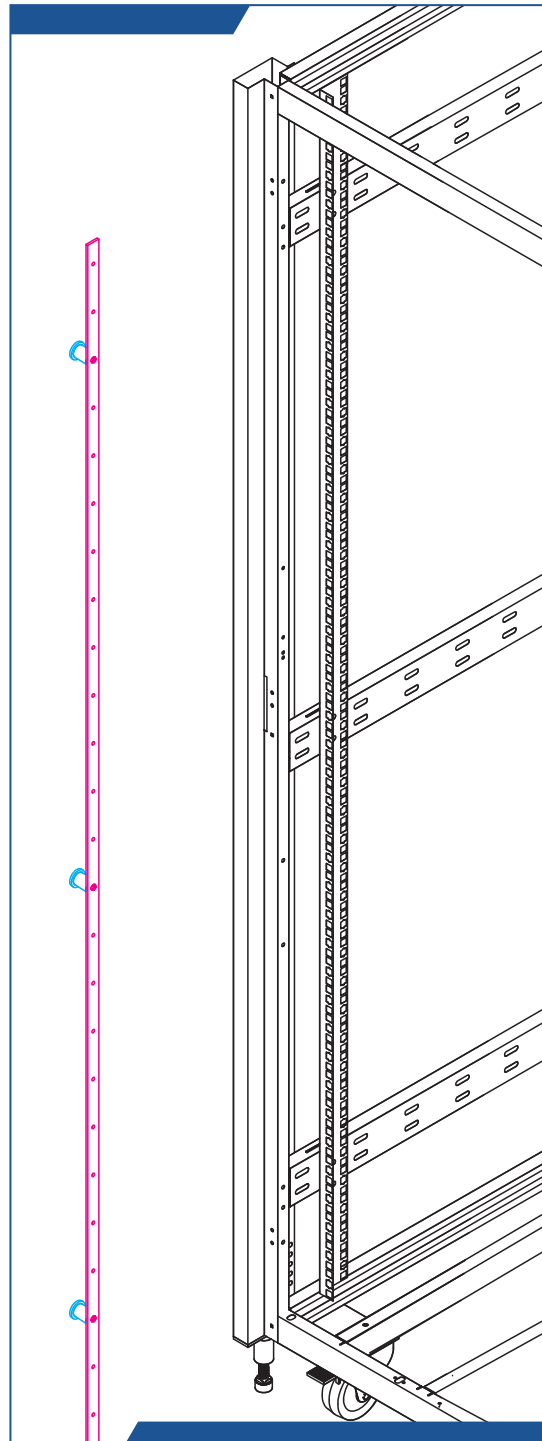
Horizontal Ground Bus Bar



Universal Rack Ground Kit

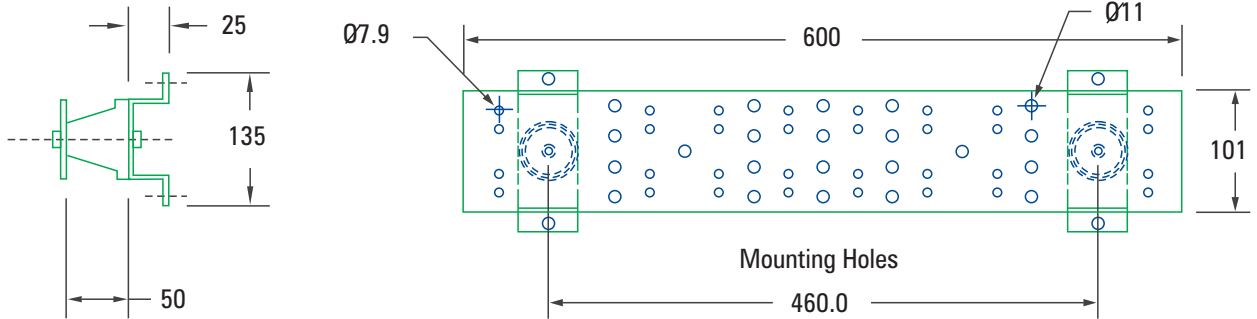


Bonding Cables

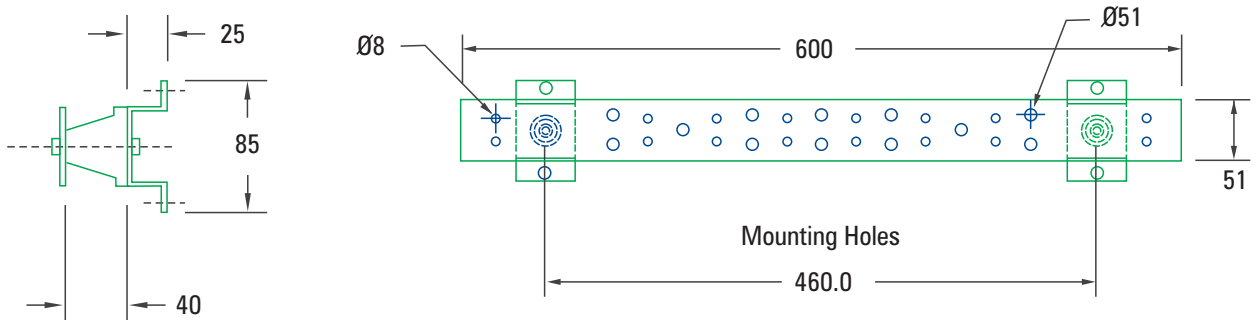


Vertical Ground Bus Bar

Telecom Main Ground Bar



Telecom Ground Bar



Model Matrix	
Description	Part No
Telecommunication Main Grounding bus bar Assembly/600X100X6mm	TMGB-001
Telecommunication Grounding bus bar assembly/600X50X6mm	TGB-001
Universal Rack Ground Kit-Type 1	GBA-001-1
Rack Ground Bus bar/Horizontal/19X3/19"	GBA-002-H-19
Rack Ground Bus bar/Vertical/19X3/1800	GBA-002-V-1800
Rack Ground Bus bar/Vertical/19X3/900	GBA-002-V-900
Bonding Cable Kit -2.5mm ² /500MM	GBA-003-001-500
Bonding Cable Kit-2.5mm ² /250MM	GBA-003-001-250
Bonding Cable Kit-4mm ² /500MM	GBA-003-002-500
Bonding Cable Kit-4mm ² /250MM	GBA-003-002-250