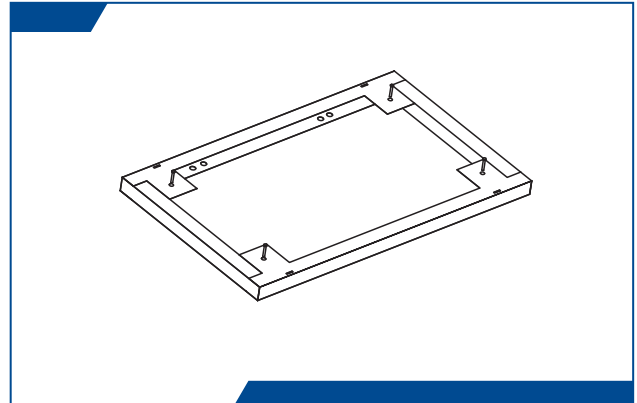


Plinth



Model Matrix & Dimensions

Description	Part No.	Construction	Static Load KG
Plinth/600X650/ 50MM Height	P-600-650-50	Formed Steel & Powder Coated	1500
Plinth/600X800/ 50MM Height	P-600-800-50		
Plinth/600X1000/ 50MM Height	P-600-1000-50		
Plinth/600X1200/ 50MM Height	P-600-1200-50		
Plinth/800X800/ 50MM Height	P-800-800-50		
Plinth/800x1000/ 50MM Height	P-800-1000-50		
Plinth/800x1200/ 50MM Height	P-800-1200-50		
Plinth/600X650/ 100MM Height	P-600-650-100		
Plinth/600X800/ 100MM Height	P-600-800-100		
Plinth/600X1000/ 100MM Height	P-600-1000-100		
Plinth/600X1200/ 100MM Height	P-600-1200-100		
Plinth/800X800/ 100MM Height	P-800-800-100		
Plinth/800x1000/ 100MM Height	P-800-1000-100		
Plinth/800x1200/ 100MM Height	P-800-1200-100		