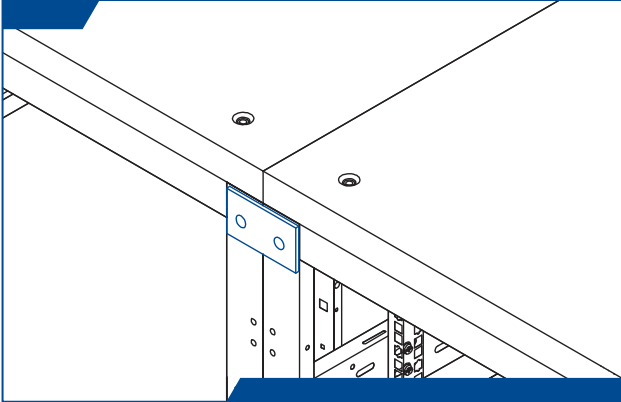


Ganging Kit



Model Matrix & Dimensions

Description	Part No.	Construction
Ganging Kit	CRA0001	Formed Steel & Powder Coated

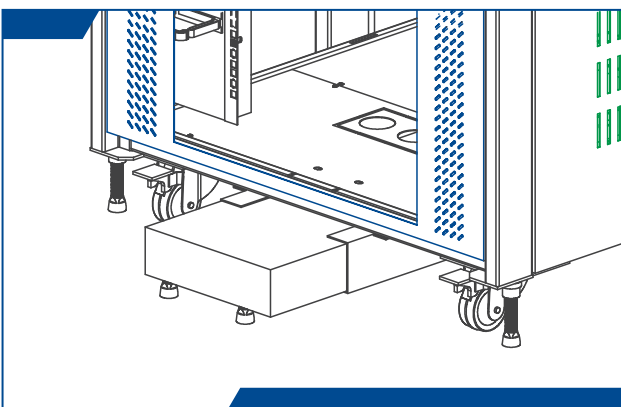
Angle Pair



Model Matrix & Dimensions

Description	Part No.	Construction	Static Load KG
Angle Pair/ 650	AP-650	Formed Steel & Powder Coated	50
Angle Pair/ 800	AP-800		
Angle Pair/ 1000	AP-1000		

Rack Stabilising Kit



Model Matrix & Dimensions

Description	Part No.	Construction
Rack Stabilizing Kit/ 600/Sliding	RSK-600-S	Formed Steel & Powder Coated
Rack Stabilizing Kit/ 800/Sliding	RSK-800-S	