

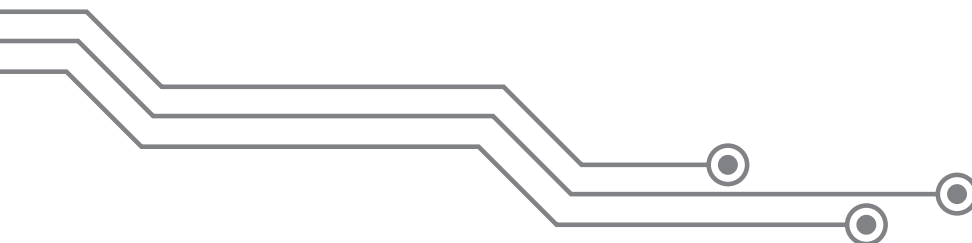
Overview

WMOD Series, Wall mount Racks for Outdoor Application and Designed to meet IP55 (Ingress protection) requirement. Racks are manufactured out of CRCA steel sheet punched, formed, welded to withstand the outdoor bad condition the racks are specially powder coated by Dual coat with primer & Pure polyester powder

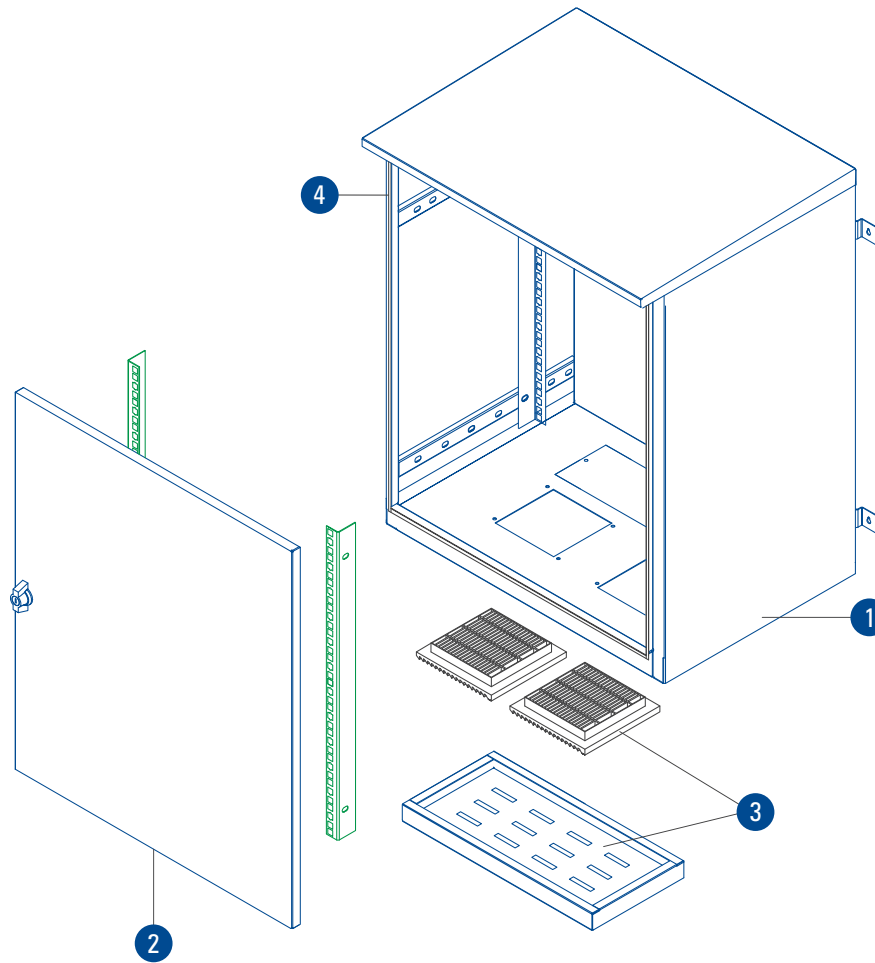
Racks are manufactured with highest quality standards under stringent ISO 9001-2008 Manufacturing & Quality management system. Manufacturing facility also comply ISO 14001-2004 & OHSAS 18001-2007



Available from 6RU~15RU Variants, 600 wide and 400~600 Depth with Double louver cover configurations. Fan mounting provision can be on side or bottom with filter unit to meet IP 55 (Ingress protection) Requirements



Wall Mount Outdoor Racks Configurator Drawing with Critical Parts



1. Rack Frame
2. Metal Door
3. Filter Unit / Double Louver Cover Module(IP55)
4. Gasket

Features

- Conforms to DIN 41494 or Equivalent EIA /ISO/ EN/ CEA Standard
- Adjustable mounting depth
- 2 No Adjustable, 19" verticals with Punched 10 mm Square Hole and Universal 12.7 mm -15.875mm- 15.875 mm alternating hole pattern offers greater mounting flexibility, maximizes usable mounting space
- State-of-the-art manufacturing methods provide the best product quality and fastest delivery in the industry
- 100% assured compatibility with all equipments conforming to DIN 41494 (General industrial standard for equipments).
- Special Dual Coat Powder coated finish with seven-tank pretreatment process meeting ASTM standard to Meet Harsh Outdoor Requirement.
- Grounding & Bonding options

Accessories:

- Cable Organisers
- Power Distribution Units
- Shelves
- Cooling Fans
- Rack ground Kit

Technical Data:	
Basic Frame	Steel
Construction	Welded
Top & Bottom Cover	Welded to frame with cable entry exit cut outs in Bottom.
Front Door	Lockable Metal Plain Door
19" Mounting Angle	Formed Steel
Std. Equipment Mounting	DIN Std. 10mm Sq. Slots
Standard Finish	Special Dual Coat Powder coated
Standard Colour	Grey & Off White OR Black
Rack Standard	Conforms to DIN 41494 or equivalent standard
Static Load	30 Kg (Uniformly distributed in U Space) / 2KG Per U

Model Matrix & Dimensions						
WMOD SERIES	H	h	W	w	D	d
6U/600X400	347	6U	600	19"	400	380
6U/600X500	347	6U	600	19"	500	480
6U/600X550	347	6U	600	19"	550	530
6U/600X600	347	6U	600	19"	600	580
9U/600X400	481	9U	600	19"	400	380
9U/600X500	481	9U	600	19"	500	480
9U/600X550	481	9U	600	19"	550	530
9U/600X600	481	9U	600	19"	600	580
12U/600X400	613	12U	600	19"	400	380
12U/600X500	613	12U	600	19"	500	480
12U/600X550	613	12U	600	19"	550	530
12U/600X600	613	12U	600	19"	600	580
15U/600X400	749	15U	600	19"	400	380
15U/600X500	749	15U	600	19"	500	480
15U/600X550	749	15U	600	19"	550	530
15U/600X600	749	15U	600	19"	600	580

Note:

1. It is recommended to distribute the Load along with U space in the Rack
2. Dimension are in MM

Abbreviations

H - Overall height h - Usable height W - Overall width w - Usable width D - Overall depth d - Usable depth

