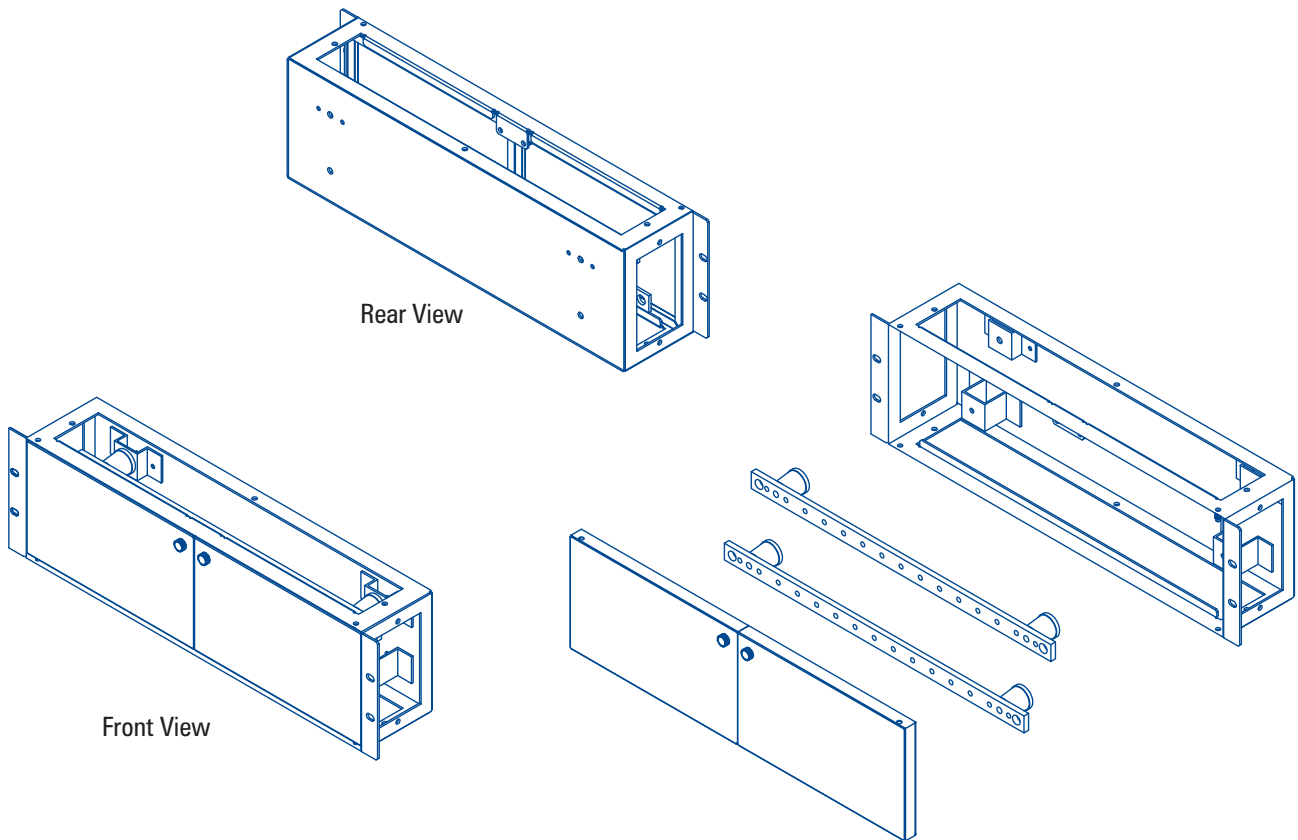


Overview

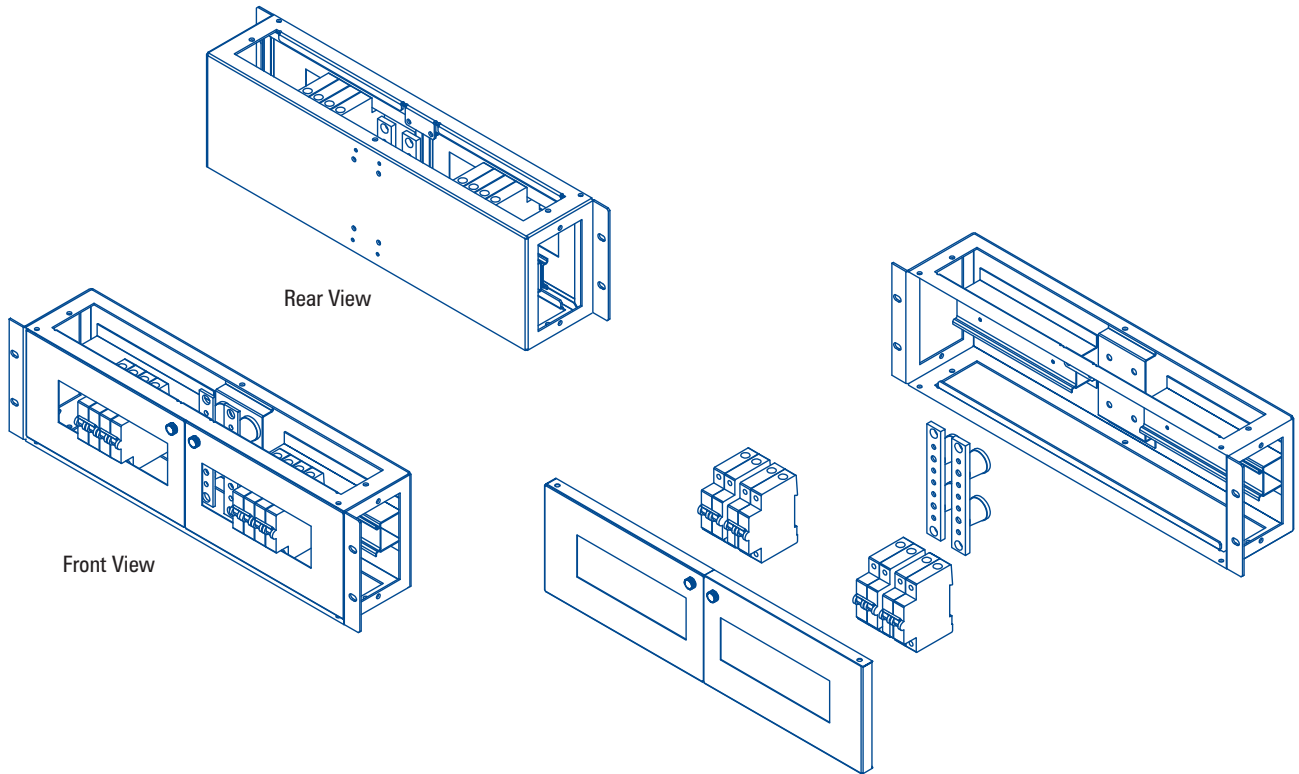
DC Power Distribution (DCDB) is very important accessory for Telecom racks as majority of equipments work on DC voltage, NetTrack after carefully studying the Requirements offer 120A to 2000 Amp systems with 20X3mm to 100X10mm high quality Copper BUSBARS with tapped hole for power cable Termination to manage different requirements in industry.

The Standard models of 19, 21 or 23 inch standard, Available with MCB mounting OR with out MCB Mounting can be 3U, 4U and 6U variants based Current and Internal configurations. DCDB can be customised based on special large Requirements.



Model Matrix & Dimensions

Description	Part Number
DCDB/3U/120A/20X3 Busbar-2	DCDB-3U-001
DCDB/3U/240A/20X6 Busbar-2	DCDB-3U-002
DCDB/3U/120A/20X3 Busbar-2/DinRail	DCDB-3U-003
DCDB/3U/240A/20X6 Busbar-2/DinRail	DCDB-3U-004
DCDB/4U/480A/40X6 Busbar-2	DCDB-4U-001
DCDB/4U/800A/40X10 Busbar-2	DCDB-4U-002



Model Matrix & Dimensions	
Description	Part Number
DCDB/4U/480A/40X6 Busbar-2/DinRail	DCDB-4U-003
DCDB/4U/800A/40X10 Busbar-2/DinRail	DCDB-4U-004
DCDB/6U/1500A/75X10 Busbar-2	DCDB-6U-001
DCDB/6U/2000A/100X10 Busbar-2	DCDB-6U-002
DCDB/6U/1500A/75X10 Busbar-2/DinRail	DCDB-6U-003
DCDB/6U/2000A/100X10 Busbar-2/DinRail	DCDB-6U-004

