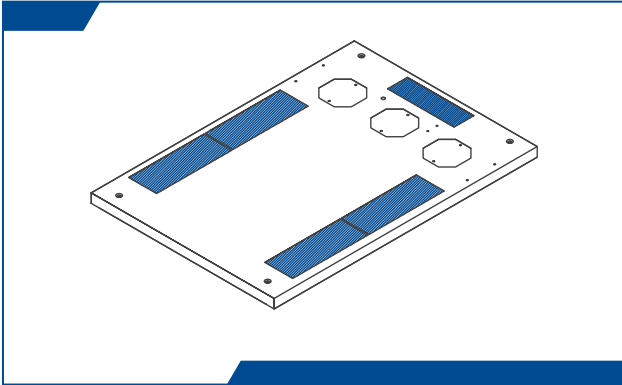
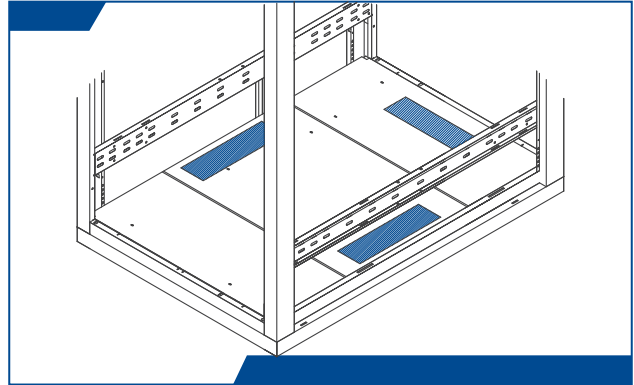


Brush Module/Top Panel



Brush Module/Bottom Panel



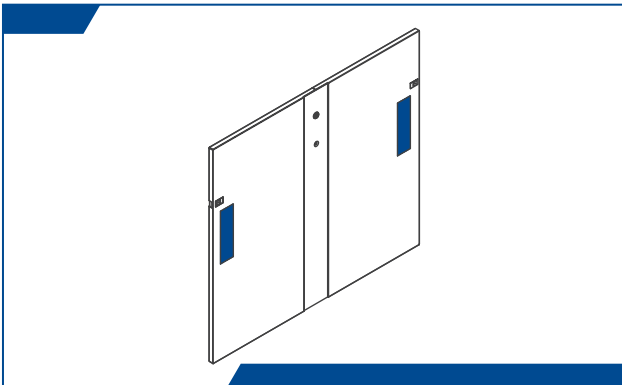
Model Matrix & Dimensions

Description	Part No
Brush Module/Top Panel/300X85	BM-TP-30085
Brush Module/Top Panel/600X85	BM-TP-60085
Brush Module/Top Panel/900X85	BM-TP-90085

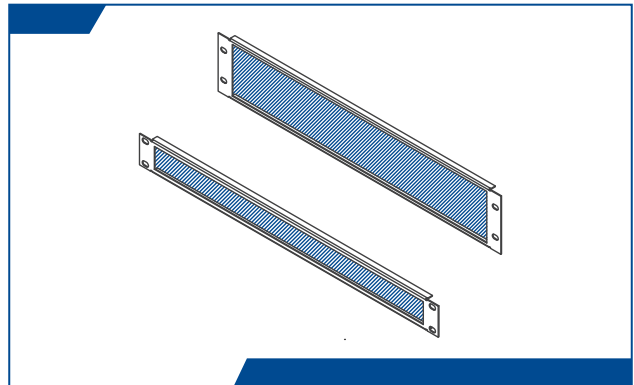
Model Matrix & Dimensions

Description	Part No
Brush Module/Bottom Panel/300X85	BM-BP-30085
Brush Module/Bottom Panel/600X85	BM-BP-60085
Brush Module/Bottom Panel/900X85	BM-BP-90085

Brush Module/Side Panel



Brush/Panel/1U & 2U



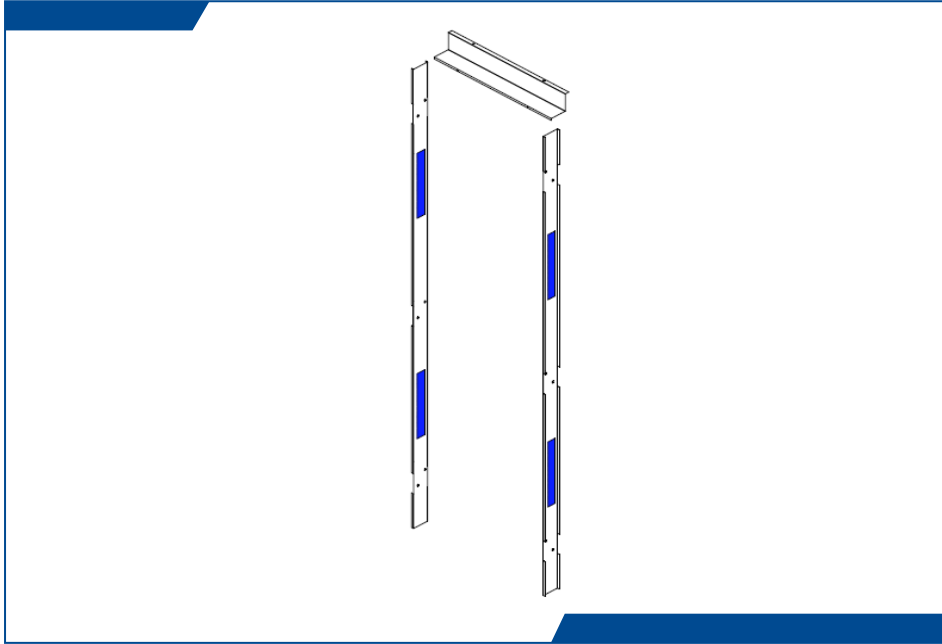
Model Matrix & Dimensions

Description	Part No
Brush Module/Side Panel/300X85/1	BM-SP-30085-1
Brush Module/Side Panel/300X85/2	BM-SP-30085-2
Brush Module/Side Panel/300X85/4	BM-SP-30085-4

Model Matrix & Dimensions

Description	Part No
Brush Panel/1U	BRP-1
Brush Panel/2U	BRP-2

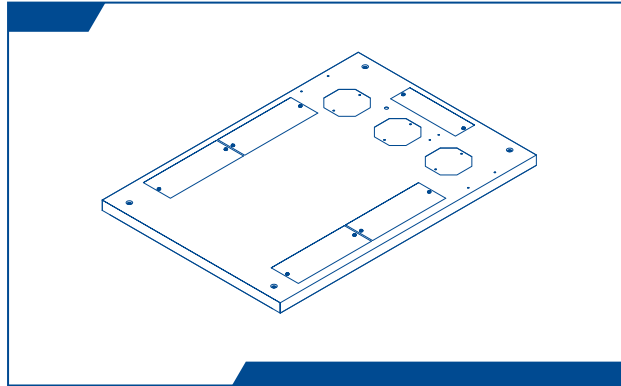
Air seal Kit/ Brushed



Model Matrix & Dimensions

Description	Part No.
Front Air seal Kit/42/600/2 Opening per side/Brushed/Type1	ASK-42-600-B-001
Front Air seal Kit/42/800/2 Opening per side/Brushed/Type1	ASK-42-800-B-001
Front Air seal Kit/42/600/2 Opening per side/Brushed/Type2	ASK-42-600-B-002
Front Air seal Kit/42/800/2 Opening per side/Brushed/Type2	ASK-42-800-B-002

Gland Plate Module/Top Panel
(IP40 and above and Acousti / iRack)

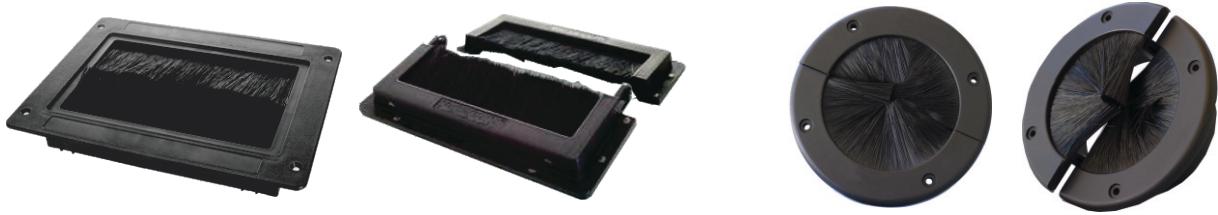


Model Matrix & Dimensions

Description	Part No.
Gland Plate Module/Top Panel/100X85	GPM-TP-10085
Gland Plate Module/Top Panel/200X85	GPM-TP-20085
Gland Plate Module/Top Panel/300X85	GPM-TP-30085
Gland Plate Module/Top Panel/600X85	GPM-TP-60085
Gland Plate Module/Top Panel/900X85	GPM-TP-90085
Gland Plate Module/Bottom Panel/100X85	GPM-BP-10085
Gland Plate Module/Bottom Panel/200X85	GPM-BP-20085
Gland Plate Module/Bottom Panel/300X85	GPM-BP-30085
Gland Plate Module/Bottom Panel/600X85	GPM-BP-60085
Gland Plate Module/Bottom Panel/900X85	GPM-BP-90085

Overview

Moulded Brush Modules are ready made solutions to avoid air flow leakage at raise flow and available in different sizes and shapes to suit site requirements.



Features

- Double Layered Engineered Sealing System - Brush upper & EPDM lower gasket
- Unique Air - Guard overlapping better seal Nylon 6 Brush System
- Integrated Safety Cover
- Manufactured from high strength, flame retardant ABS and V0 rated nylon brush and EPDM.
- Easy to install.
- RoHS compliant.

Model Matrix & Dimensions

Description	Part No	Overall Dimensions	Tile Cut Out Dimensions	Usable Dimensions
Brush Module/Moulded/280X210	BM-MS-280210	280X210	235X175	205X125
Brush Module/Moulded//Split/280X210	BM-MS-S-280210	280X210	235X175	205X125
Brush Module/Moulded/195X145	BM-MS-195X145	195X145	150X105	120X60
Brush Module/Moulded/Split/195X145	BM-MS-S-195X145	195X145	150X105	120X60
Brush Module/Moulded/4" round	BM-MR-4	DIA 143	DIA 102	DIA 88
Brush Module/Moulded/Split/4" round	BM-MR-S-4	DIA 143	DIA 102	DIA 88